



An Oshkosh Corporation Company

---

# ***Operation and Safety Manual***

*Original Instructions - Keep this manual with the machine at all times.*

***Boom Lift Model***

***1250AJP***

***S/N 0300201017 to***

***0300272496***

---

**ANSI**   **AS/NZS**

**3121170**

*January 12, 2021 - Rev U*



## WARNING

Operating, servicing and maintaining this vehicle or equipment can expose you to chemicals including engine exhaust, carbon monoxide, phthalates, and lead, which are known to the State of California to cause cancer and birth defects or other reproductive harm. To minimize exposure, avoid breathing exhaust, do not idle the engine except as necessary, service your vehicle or equipment in a well-ventilated area and wear gloves or wash your hands frequently when servicing. For more information go to [www.P65Warnings.ca.gov](http://www.P65Warnings.ca.gov).

## **FOREWORD**

This manual is a very important tool! Keep it with the machine at all times.

The purpose of this manual is to provide owners, users, operators, lessors, and lessees with the precautions and operating procedures essential for the safe and proper machine operation for its intended purpose.

Due to continuous product improvements, JLG Industries, Inc. reserves the right to make specification changes without prior notification. Contact JLG Industries, Inc. for updated information.

## **SAFETY ALERT SYMBOLS AND SAFETY SIGNAL WORDS**



This is the Safety Alert Symbol. It is used to alert you to the potential personal injury hazards. Obey all safety messages that follow this symbol to avoid possible injury or death

### **⚠ DANGER**

INDICATES AN IMMINENTLY HAZARDOUS SITUATION. IF NOT AVOIDED, WILL RESULT IN SERIOUS INJURY OR DEATH. THIS DECAL WILL HAVE A RED BACKGROUND.

### **⚠ WARNING**

INDICATES A POTENTIALLY HAZARDOUS SITUATION. IF NOT AVOIDED, COULD RESULT IN SERIOUS INJURY OR DEATH. THIS DECAL WILL HAVE AN ORANGE BACKGROUND.

### **⚠ CAUTION**

INDICATES A POTENTIALLY HAZARDOUS SITUATION. IF NOT AVOIDED, MAY RESULT IN MINOR OR MODERATE INJURY. IT MAY ALSO ALERT AGAINST UNSAFE PRACTICES. THIS DECAL WILL HAVE A YELLOW BACKGROUND.

### **NOTICE**

INDICATES INFORMATION OR A COMPANY POLICY THAT RELATES DIRECTLY OR INDIRECTLY TO THE SAFETY OF PERSONNEL OR PROTECTION OF PROPERTY.

**⚠ WARNING**

**THIS PRODUCT MUST COMPLY WITH ALL SAFETY RELATED BULLETINS. CONTACT JLG INDUSTRIES, INC. OR THE LOCAL AUTHORIZED JLG REPRESENTATIVE FOR INFORMATION REGARDING SAFETY-RELATED BULLETINS WHICH MAY HAVE BEEN ISSUED FOR THIS PRODUCT.**

**NOTICE**

**JLG INDUSTRIES, INC. SENDS SAFETY RELATED BULLETINS TO THE OWNER OF RECORD OF THIS MACHINE. CONTACT JLG INDUSTRIES, INC. TO ENSURE THAT THE CURRENT OWNER RECORDS ARE UPDATED AND ACCURATE.**

**NOTICE**

**JLG INDUSTRIES, INC. MUST BE NOTIFIED IMMEDIATELY IN ALL INSTANCES WHERE JLG PRODUCTS HAVE BEEN INVOLVED IN AN ACCIDENT INVOLVING BODILY INJURY OR DEATH OF PERSONNEL OR WHEN SUBSTANTIAL DAMAGE HAS OCCURRED TO PERSONAL PROPERTY OR THE JLG PRODUCT.**

**For:**

- Accident Reporting
- Product Safety Publications
- Current Owner Updates
- Questions Regarding Product Safety
- Standards and Regulations Compliance Information
- Questions Regarding Special Product Applications
- Questions Regarding Product Modifications

**Contact:**

Product Safety and Reliability Department  
JLG Industries, Inc.  
13224 Fountainhead Plaza  
Hagerstown, MD 21742  
USA

or Your Local JLG Office  
(See addresses on inside of manual cover)

**In USA:**

Toll Free: 877-JLG-SAFE (877-554-7233)

**Outside USA:**

Phone: 240-420-2661  
Fax: 301-745-3713  
E-mail: [ProductSafety@JLG.com](mailto:ProductSafety@JLG.com)

**REVISION LOG**

Original Issue	A - March 1, 2004	Revised	Q - March 23, 2018
Revised	B - May 4, 2005	Revised	R - May 30, 2018
Revised	C - January 12, 2006	Revised	S - June 29, 2018 - Revised Covers, Prop 65
Revised	D - May 9, 2006	Revised	T - November 5, 2018
Revised	E - July 21, 2006	Revised	U - January 12, 2021
Revised	F - November 30, 2006		
Revised	G - April 10, 2007		
Revised	H - March 19, 2008		
Revised	I - November 19, 2009		
Revised	J - August 31, 2010		
Revised	K - August 18, 2011		
Revised	L - August 9, 2012		
Revised	M - September 11, 2014		
Revised	N - January 5, 2015		
Revised	O - May 23, 2017		
Revised	P - June 30, 2017		

<b>SECTION - PARAGRAPH, SUBJECT</b>	<b>PAGE</b>	<b>SECTION - PARAGRAPH, SUBJECT</b>	<b>PAGE</b>
<b>SECTION - 1 - SAFETY PRECAUTIONS</b>			
1.1 GENERAL .....	1-1	Function Check.....	2-8
1.2 PRE-OPERATION .....	1-1	SkyGuard Function Test.....	2-9
Operator Training and Knowledge .....	1-1	2.3 OSCILLATING AXLE LOCKOUT TEST (IF EQUIPPED)....	2-10
Workplace Inspection.....	1-2		
Machine Inspection.....	1-3	<b>SECTION - 3 - MACHINE CONTROLS AND INDICATORS</b>	
1.3 OPERATION.....	1-3	3.1 GENERAL .....	3-1
General .....	1-3	3.2 CONTROLS AND INDICATORS .....	3-1
Trip and Fall Hazards.....	1-4	Ground Control Station.....	3-2
Electrocution Hazards .....	1-5	Ground Control Indicator Panel .....	3-7
Tipping Hazards .....	1-7	Platform Station .....	3-9
Crushing and Collision Hazards .....	1-10	Platform Control Indicator Panel .....	3-15
1.4 TOWING, LIFTING, AND HAULING.....	1-11		
1.5 MAINTENANCE.....	1-11	<b>SECTION - 4 - MACHINE OPERATION</b>	
Maintenance Hazards.....	1-11	4.1 DESCRIPTION .....	4-1
Battery Hazards.....	1-13	4.2 HYDRAULIC SYSTEM WARM UP.....	4-2
		4.3 BOOM OPERATING CHARACTERISTICS AND LIMITATIONS.....	4-2
<b>SECTION - 2 - USER RESPONSIBILITIES, MACHINE PREPARATION, AND INSPECTION</b>		Capacities.....	4-2
2.1 PERSONNEL TRAINING .....	2-1	Envelope Control System .....	4-3
Operator Training .....	2-1	Tower Path Control System .....	4-4
Training Supervision.....	2-1	Automatic Main Boom Control System.....	4-5
Operator Responsibility.....	2-1	Slow Down System .....	4-5
2.2 PREPARATION, INSPECTION, AND MAINTENANCE .....	2-2	Controlled Angle .....	4-6
Pre-Start Inspection.....	2-5	Swing Speed Proportioning.....	4-6
Daily Walk-Around Inspection.....	2-6	Stability .....	4-6

## TABLE OF CONTENTS

---

<b>SECTION - PARAGRAPH, SUBJECT</b>	<b>PAGE</b>	<b>SECTION - PARAGRAPH, SUBJECT</b>	<b>PAGE</b>
4.4 AUXILIARY POWER OPERATION .....	4-10	SkyGuard - SkyLine .....	4-22
4.5 CAPACITY SELECT. ....	4-10	SkyGuard - SkyEye.....	4-23
4.6 ENGINE OPERATION .....	4-12	SkyGuard Function Table .....	4-23
Starting Procedure .....	4-12	4.15 EMERGENCY TOWING.....	4-24
Shutdown Procedure .....	4-13	4.16 SHUT DOWN AND PARK.....	4-25
Air Shutoff Valve (ASOV) (If Equipped).....	4-13	4.17 LIFTING AND TIE DOWN.....	4-25
Fuel Reserve / Shut-Off System.....	4-14	Lifting .....	4-25
4.7 TRAVELING (DRIVING).....	4-16	Tie Down .....	4-26
Traveling Forward and Reverse .....	4-18	4.18 STOWING THE JIB FOR TRANSPORT.....	4-26
Traveling on a Grade .....	4-18		
4.8 STEERING.....	4-19	<b>SECTION - 5 - EMERGENCY PROCEDURES</b>	
4.9 EXTENDING THE AXLES .....	4-19	5.1 GENERAL .....	5-1
4.10 PLATFORM .....	4-19	5.2 INCIDENT NOTIFICATION.....	5-1
Platform Level Adjustment .....	4-19	5.3 EMERGENCY OPERATION .....	5-1
Platform Rotation .....	4-19	Operator Unable to Control Machine.....	5-1
4.11 BOOM.....	4-19	Platform or Boom Caught Overhead or Boom Move .....	5-2
Swinging the Boom .....	4-20	ment Prevented by Boom Control System .....	5-2
Raising and Lowering the Main Boom .....	4-20	5.4 EMERGENCY TOWING PROCEDURES.....	5-2
Telescoping the Main Boom .....	4-20	5.5 MACHINE SAFETY SYSTEM OVERRIDE (MSSO)	
Tower Lift .....	4-20	(CE ONLY) .....	5-3
Swinging the Jib .....	4-21		
4.12 FUNCTION SPEED CONTROL .....	4-21	<b>SECTION - 6 - ACCESSORIES</b>	
4.13 MACHINE SAFETY SYSTEM OVERRIDE (MSSO)		6.1 FALL ARREST PLATFORM.....	6-3
(CE ONLY) .....	4-21	Safety Precautions.....	6-3
4.14 SKYGUARD OPERATION .....	4-22		
SkyGuard .....	4-22		



<b>SECTION - PARAGRAPH, SUBJECT</b>	<b>PAGE</b>	<b>SECTION - PARAGRAPH, SUBJECT</b>	<b>PAGE</b>
6.2 PIPE RACKS .....	6-3	Safety Precautions.....	6-12
Capacity Specifications (Australia Only).....	6-4	Preparation and Inspection .....	6-12
Safety Precautions.....	6-4	Operation .....	6-12
Preparation and Inspection .....	6-4	6.7 SOFT TOUCH.....	6-13
Operation .....	6-4	6.8 BOLT-ON EXTERNAL FALL ARREST .....	6-13
6.3 SKYCUTTER™ .....	6-5	Inspection Before Use .....	6-14
Safety Precautions.....	6-5		
Accessory Ratings .....	6-6		
Generator Output .....	6-6		
Preparation and Inspection .....	6-6		
Operation .....	6-6		
6.4 SKYGLAZIER™ .....	6-7		
Capacity Specifications .....	6-7		
Safety Precautions .....	6-8		
Preparation and Inspection .....	6-8		
Operation .....	6-8		
6.5 SKYPOWER™ .....	6-9		
Generator Output .....	6-9		
Accessory Ratings .....	6-9		
Safety Precautions.....	6-10		
Preparation and Inspection .....	6-10		
Operation .....	6-10		
6.6 SKYWELDER™ .....	6-10		
Accessory Ratings .....	6-11		
Generator Output .....	6-11		
Welding Accessories .....	6-11		
		<b>SECTION - 7 - GENERAL SPECIFICATIONS &amp; OPERATOR</b>	
		<b>MAINTENANCE</b>	
		7.1 INTRODUCTION.....	7-1
		7.2 OPERATING SPECIFICATIONS AND PERFORMANCE	
		DATA.....	7-1
		Dimensional Data .....	7-3
		Chassis.....	7-3
		Capacities .....	7-4
		Tires .....	7-4
		Engine Data - Deutz 2011 Prior to S/N 0300127698 .	7-5
		Engine Data - Deutz 2011 S/N 0300127698 to	
		Present .....	7-5
		Engine Data - Caterpillar .....	7-6
		Hydraulic Oil .....	7-7
		Major Component Weights .....	7-10
		7.3 OPERATOR MAINTENANCE .....	7-18
		7.4 TIRES & WHEELS .....	7-34
		Tire Inflation.....	7-34
		Tire Damage .....	7-34

**TABLE OF CONTENTS**

---

<b>SECTION - PARAGRAPH, SUBJECT</b>	<b>PAGE</b>	<b>SECTION - PARAGRAPH, SUBJECT</b>	<b>PAGE</b>
Tire Replacement.....	7-35		
Wheel and Tire Replacement .....	7-35		
Wheel Installation .....	7-35		
7.5 SUPPLEMENTAL INFORMATION .....	7-37		

**SECTION - 8 - INSPECTION AND REPAIR LOG**

<b>FIGURE NUMBER - TITLE</b>	<b>PAGE</b>	<b>FIGURE NUMBER - TITLE</b>	<b>PAGE</b>
2-1. Basic Nomenclature.....	2-4	Sheet 2 of 54-42	
3-1. Ground Control Station .....	3-3	4-18. Decal Location - S/N 0300141446 to Present - CE Only - Sheet 3 of 54-43	
3-2. Ground Control Station with Machine Safety System Override (MSSO) (CE Only)3-4		4-19. Decal Location - S/N 0300141446 to Present - CE Only - Sheet 4 of 54-44	
3-3. Ground Control Indicator Panel .....	3-8	4-20. Decal Location - S/N 0300141446 to Present - CE Only - Sheet 5 of 54-45	
3-4. Platform Control Console .....	3-10	6-1. Bolt-On External Fall Arrest Cable Tension .....	6-15
3-5. Platform Control Indicator Panel.....	3-16	6-2. Bolt-On External Fall Arrest System .....	6-16
3-6. Fuel Level Indicator .....	3-18	7-1. Engine Operating Temperature Specifications .....	7-11
4-1. Tower Path vs. Main Boom Angle.....	4-4	7-2. Hydraulic Oil Operation Chart - Sheet 1 of 2.....	7-12
4-2. Position of Least Forward Stability.....	4-7	7-3. Hydraulic Oil Operation Chart - Sheet 2 of 2.....	7-13
4-3. Position of Least Backward Stability - Sheet 1 of 2 .....	4-8	7-4. Engine Operating Temperature Specifications - Caterpillar - Sheet 1 of 27-14	
4-4. Position of Least Backward Stability - Sheet 2 of 2 .....	4-9	7-5. Engine Operating Temperature Specifications - Caterpillar - Sheet 2 of 27-15	
4-5. Range Diagram .....	4-11	7-6. Operator Maintenance and Lubrication Diagram - Deutz 2011/CAT Engines7-16	
4-6. ASOV Reset (Open to Closed Position) .....	4-14	7-7. Operator Maintenance and Lubrication Diagram - Deutz 2.9 Engine7-17	
4-7. Grade and Side Slopes .....	4-17	7-8. Hydraulic Return Filter Condition Indicator - Prior to S/N 1393967-22	
4-8. Traveling on a Grade.....	4-18	7-9. Hydraulic Return Filter Condition Indicator - S/N 139396 to Present7-23	
4-9. Drive Disconnect Hub.....	4-24	7-10. Deutz 2011 Engine Dipstick .....	7-28
4-10. Lifting and Tie Down Chart.....	4-27		
4-11. Decal Location Sheet 1 of 5.....	4-28		
4-12. Decal Location Sheet 2 of 5.....	4-29		
4-13. Decal Location Sheet 3 of 5.....	4-30		
4-14. Decal Location Sheet 4 of 5.....	4-31		
4-15. Decal Location Sheet 5 of 5.....	4-32		
4-16. Decal Location - S/N 0300141446 to Present - CE Only - Sheet 1 of 54-41			
4-17. Decal Location - S/N 0300141446 to Present - CE Only -			

***LIST OF FIGURES***

---

**FIGURE NUMBER - TITLE**

**PAGE**

**FIGURE NUMBER - TITLE**

**PAGE**

<b>TABLE NUMBER - TITLE</b>	<b>PAGE</b>	<b>TABLE NUMBER - TITLE</b>	<b>PAGE</b>
1-1	Minimum Approach Distances (M.A.D.) .....	1-6	
1-2	Beaufort Scale (For Reference Only).....	1-9	
2-1	Inspection and Maintenance Table .....	2-3	
4-1	Decal Legend - Prior to S/N 0300141446 .....	4-33	
4-2	Decal Legend - S/N 0300141446 to Present .....	4-37	
4-3	Decal Legend - S/N 0300141446 to Present - CE Only.	4-46	
6-1	Available Accessories .....	6-1	
6-2	Options/Accessories Relationship Table.....	6-2	
7-1	Operating Specifications - Prior to S/N 0300141446 ...	7-1	
7-2	Operating Specifications - S/N 0300141446 to Present.	7-2	
7-3	Dimensional Data .....	7-3	
7-4	Chassis Specifications .....	7-3	
7-5	Capacities .....	7-4	
7-6	Tire Specifications.....	7-4	
7-7	Deutz BF4M2011 Specifications .....	7-5	
7-8	Deutz TD2011L4 Specifications .....	7-5	
7-9	Deutz TCD2.9L4 Specifications .....	7-6	
7-10	Caterpillar 3.4T.....	7-6	
7-11	Hydraulic Oil Specifications.....	7-7	
7-12	Mobilfluid 424 Specs .....	7-7	
7-13	Mobil DTE 10 Excel 32 Specs.....	7-8	
7-14	UCon Hydrolube HP-5046 .....	7-8	
7-15	Exxon Univis HVI 26 Specs.....	7-9	
7-16	Mobil EAL H 46 Specs .....	7-9	
7-17	Mobil EAL 46 Specs .....	7-10	
7-18	Component Weights.....	7-10	
		7-19	Lubrication Specifications .....
		7-20	Wheel Torque Chart.....
		8-1	Inspection and Repair Log.....

***LIST OF TABLES***

**TABLE NUMBER - TITLE**

**PAGE**

**TABLE NUMBER - TITLE**

**PAGE**

---

This Page Left Blank Intentionally

## SECTION 1. SAFETY PRECAUTIONS

### 1.1 GENERAL

This section outlines the necessary precautions for proper and safe machine usage and maintenance. It is mandatory that a daily routine is established based on the content of this manual to promote proper machine usage. A maintenance program, using the information provided in this manual and the Service and Maintenance Manual, must also be established by a qualified person and must be followed to ensure that the machine is safe to operate.

The owner/user/operator/lessor/lessee of the machine must not accept operating responsibility until this manual has been read, training is accomplished, and operation of the machine has been completed under the supervision of an experienced and qualified operator.

This section contains the responsibilities of the owner, user, operator, lessor, and lessee concerning safety, training, inspection, maintenance, application, and operation. If there are any questions with regard to safety, training, inspection, maintenance, application, and operation, please contact JLG Industries, Inc. ("JLG").

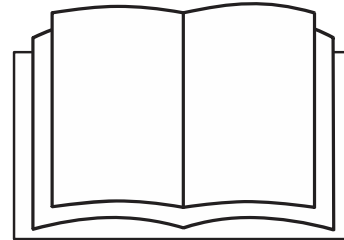
### **⚠ WARNING**

**FAILURE TO COMPLY WITH THE SAFETY PRECAUTIONS LISTED IN THIS MANUAL COULD RESULT IN MACHINE DAMAGE, PROPERTY DAMAGE, PERSONAL INJURY OR DEATH.**

### 1.2 PRE-OPERATION

#### Operator Training and Knowledge

- The Operation and Safety Manual must be read and understood in its entirety before operating the machine. For clarification, questions, or additional information regarding any portions of this manual, contact JLG Industries, Inc.



## **SECTION 1 - SAFETY PRECAUTIONS**

---

- An operator must not accept operating responsibilities until adequate training has been given by competent and authorized persons.
- Allow only those authorized and qualified personnel to operate the machine who have demonstrated that they understand the safe and proper operation and maintenance of the unit.
- Read, understand, and obey all DANGERS, WARNINGS, CAUTIONS, and operating instructions on the machine and in this manual.
- Ensure that the machine is to be used in a manner which is within the scope of its intended application as determined by JLG.
- All operating personnel must be familiar with the emergency controls and emergency operation of the machine as specified in this manual.
- Read, understand, and obey all applicable employer, local, and governmental regulations as they pertain to your utilization and application of the machine.

### **Workplace Inspection**

- Precautions to avoid all hazards in the work area must be taken by the user before and during operation of the machine.
- Do not operate or raise the platform from a position on trucks, trailers, railway cars, floating vessels, scaffolds or other equipment unless the application is approved in writing by JLG.
- Before operation, check work area for overhead hazards such as electric lines, bridge cranes, and other potential overhead obstructions.
- Check operating surfaces for holes, bumps, drop-offs, obstructions, debris, concealed holes, and other potential hazards.
- Check the work area for hazardous locations. Do not operate the machine in hazardous environments unless approved for that purpose by JLG.
- Ensure that the ground conditions are adequate to support the maximum tire load indicated on the tire load decals located on the chassis adjacent to each wheel. Do not travel on unsupported surfaces.



## **Machine Inspection**

- Do not operate this machine until the inspections and functional checks as specified in Section 2 of this manual have been performed.
- Do not operate this machine until it has been serviced and maintained according to the maintenance and inspection requirements as specified in the machine's Service and Maintenance Manual.
- Ensure all safety devices are operating properly. Modification of these devices is a safety violation.

### **WARNING**

**MODIFICATION OR ALTERATION OF AN AERIAL WORK PLATFORM SHALL BE MADE ONLY WITH PRIOR WRITTEN PERMISSION FROM THE MANUFACTURER.**

- Do not operate any machine on which the safety or instruction placards or decals are missing or illegible.
- Check the machine for modifications to original components. Ensure that any modifications have been approved by JLG.
- Avoid accumulation of debris on platform floor. Keep mud, oil, grease, and other slippery substances from footwear and platform floor.

## **1.3 OPERATION**

### **General**

- Machine operation requires your full attention. Bring the machine to a full stop before using any device, i.e. cell phones, two-way radios, etc. that will distract your attention from safely operating the machine.
- Do not use the machine for any purpose other than positioning personnel, their tools, and equipment.
- Before operation, the user must be familiar with the machine capabilities and operating characteristics of all functions.
- Never operate a malfunctioning machine. If a malfunction occurs, shut down the machine. Remove the unit from service and notify the proper authorities.
- Do not remove, modify, or disable any safety devices.
- Never slam a control switch or lever through neutral to an opposite direction. Always return switch to neutral and stop before moving the switch to the next function. Operate controls with slow and even pressure.
- Do not allow personnel to tamper with or operate the machine from the ground with personnel in the platform, except in an emergency.

## SECTION 1 - SAFETY PRECAUTIONS

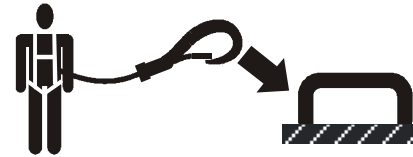
---

- Do not carry materials directly on platform railing unless approved by JLG.
- When two or more persons are in the platform, the operator shall be responsible for all machine operations.
- Always ensure that power tools are properly stowed and never left hanging by their cord from the platform work area.
- When driving, always position boom over rear axle in line with the direction of travel. Remember, if boom is over the front axle, steer and drive functions will be reversed.
- Do not assist a stuck or disabled machine by pushing or pulling except by pulling at the chassis tie-down lugs.
- Fully lower platform and shut off all power before leaving machine.
- Remove all rings, watches, and jewelry when operating machine. Do not wear loose fitting clothing or long hair unrestrained which may become caught or entangled in equipment.
- Persons under the influence of drugs or alcohol or who are subject to seizures, dizziness or loss of physical control must not operate this machine.
- Hydraulic cylinders are subject to thermal expansion and contraction. This may result in changes to the boom and/or platform position while the machine is stationary. Factors affecting thermal movement can include the length of time

the machine will remain stationary, hydraulic oil temperature, ambient air temperature, and boom and platform position.

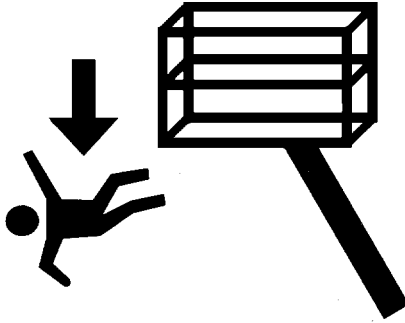
### Trip and Fall Hazards

- During operation, occupants in the platform must wear a full body harness with a lanyard attached to an authorized lanyard anchorage point. Attach only one (1) lanyard per lanyard anchorage point.



- Enter and exit only through gate area. Use extreme caution when entering or leaving platform. Ensure that the platform assembly is fully lowered. Face the machine when entering or leaving the platform. Always maintain “three point contact” with the machine, using two hands and one foot or two feet and one hand at all times during entry and exit.

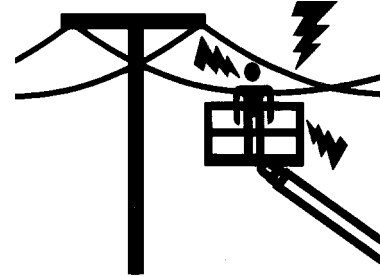
- Before operating the machine, make sure all gates are closed and fastened in their proper position.



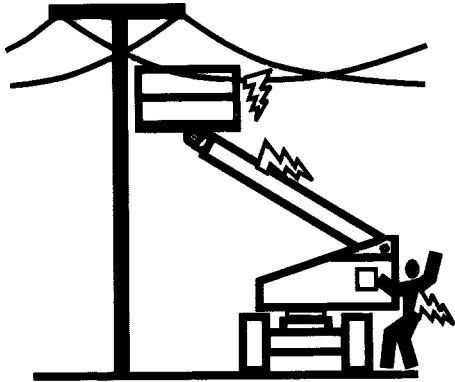
- Keep both feet firmly positioned on the platform floor at all times. Never position ladders, boxes, steps, planks, or similar items on unit to provide additional reach for any purpose.
- Keep oil, mud, and slippery substances cleaned from footwear and the platform floor.

### **Electrocution Hazards**

- This machine is not insulated and does not provide protection from contact or proximity to electrical current.



## SECTION 1 - SAFETY PRECAUTIONS



- Maintain distance from electrical lines, apparatus, or any energized (exposed or insulated) parts according to the Minimum Approach Distance (MAD) as shown in Table 1-1.
- Allow for machine movement and electrical line swaying.

**Table 1-1. Minimum Approach Distances (M.A.D.)**

<b>Voltage Range (Phase to Phase)</b>	<b>MINIMUM APPROACH DISTANCE in Feet (Meters)</b>
0 to 50 KV	10 (3)
Over 50KV to 200 KV	15 (5)
Over 200 KV to 350 KV	20 (6)
Over 350 KV to 500 KV	25 (8)
Over 500 KV to 750 KV	35 (11)
Over 750 KV to 1000 KV	45 (14)

**NOTE:** *This requirement shall apply except where employer, local or governmental regulations are more stringent.*

- Maintain a clearance of at least 10 ft. (3m) between any part of the machine and its occupants, their tools, and their equipment from any electrical line or apparatus carrying up to 50,000 volts. One foot additional clearance is required for every additional 30,000 volts or less.

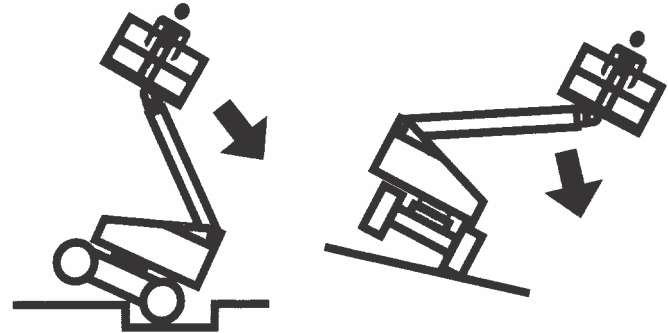
- The minimum approach distance may be reduced if insulating barriers are installed to prevent contact, and the barriers are rated for the voltage of the line being guarded. These barriers shall not be part of (or attached to) the machine. The minimum approach distance shall be reduced to a distance within the designed working dimensions of the insulating barrier. This determination shall be made by a qualified person in accordance with the employer, local, or governmental requirements for work practices near energized equipment.

**⚠ DANGER**

**DO NOT MANEUVER MACHINE OR PERSONNEL INSIDE PROHIBITED ZONE (MAD). ASSUME ALL ELECTRICAL PARTS AND WIRING ARE ENERGIZED UNLESS KNOWN OTHERWISE.**

**Tipping Hazards**

- The user must be familiar with the surface before driving. Do not exceed the allowable sideslope and grade while driving.



- Do not elevate platform or drive with platform elevated while on or near a sloping, uneven, or soft surface. Ensure machine is positioned on a firm, level and smooth surface before elevating platform or driving with the platform in the elevated position.
- Before driving on floors, bridges, trucks, and other surfaces, check allowable capacity of the surfaces.

## **SECTION 1 - SAFETY PRECAUTIONS**

---

- Never exceed the maximum work load as specified on the platform. Keep all loads within the confines of the platform, unless authorized by JLG.
- Keep the chassis of the machine a minimum of 2 ft. (0.6m) from holes, bumps, drop-offs, obstructions, debris, concealed holes, and other potential hazards at the ground level.
- Do not push or pull any object with the boom.
- Never attempt to use the machine as a crane. Do not tie-off machine to any adjacent structure. Never attach wire, cable, or any similar items to platform.
- If boom assembly or platform is in a position that one or more wheels are off the ground, all persons must be removed before attempting to stabilize the machine. Use cranes, forklift trucks, or other appropriate equipment to stabilize machine.
- Do not operate the machine when wind conditions, including gusts, may exceed 28 mph (12.5 m/s). Factors affecting wind speed are; platform elevation, surrounding structures, local weather events, and approaching storms. Refer to Table 1-2, Beaufort scale (For Reference Only) or use other means to monitor wind conditions.
- Wind speed can be significantly greater at height than at ground level.
- Wind speed can change rapidly. Always consider approaching weather events, the time required to lower the platform, and methods to monitor current and potential wind conditions.
- Do not increase surface area of the platform or the load. Increased areas exposed to wind will decrease stability.
- Do not increase the platform size with unauthorized modifications or attachments.

**NOTICE**

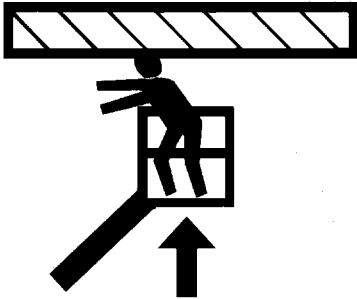
**DO NOT OPERATE THE MACHINE WHEN WIND CONDITIONS EXCEED 28 MPH (12.5 M/S).**

**Table 1-2. Beaufort Scale (For Reference Only)**

Beaufort Number	Wind Speed		Description	Land Conditions
	mph	m/s		
0	0	0-0.2	Calm	Calm. Smoke rises vertically
1	1-3	0.3-1.5	Light air	Wind motion visible in smoke
2	4-7	1.6-3.3	Light breeze	Wind felt on exposed skin. Leaves rustle
3	8-12	3.4-5.4	Gentle breeze	Leaves and smaller twigs in constant motion
4	13-18	5.5-7.9	Moderate breeze	Dust and loose paper raised. Small branches begin to move.
5	19-24	8.0-10.7	Fresh breeze	Smaller trees sway.
6	25-31	10.8-13.8	Strong breeze	Large branches in motion. Flags waving near horizontal. Umbrella use becomes difficult.
7	32-38	13.9-17.1	Near Gale/Moderate Gale	Whole trees in motion. Effort needed to walk against the wind.
8	39-46	17.2-20.7	Fresh Gale	Twigs broken from trees. Cars veer on road.
9	47-54	20.8-24.4	Strong Gale	Light structure damage.

### Crushing and Collision Hazards

- Approved head gear must be worn by all operating and ground personnel.
- Check work area for clearances overhead, on sides, and bottom of platform when lifting or lowering platform, and driving.



- During operation, keep all body parts inside platform railing.
- Use the boom functions, not the drive function, to position the platform close to obstacles.
- Always post a lookout when driving in areas where vision is obstructed.

- Keep non-operating personnel at least 6 ft. (1.8m) away from machine during all driving and swing operations.
- Under all travel conditions, the operator must limit travel speed according to conditions of ground surface, congestion, visibility, slope, location of personnel, and other factors which may cause collision or injury to personnel.
- Be aware of stopping distances in all drive speeds. When driving in high speed, switch to low speed before stopping. Travel grades in low speed only.
- Do not use high speed drive in restricted or close quarters or when driving in reverse.
- Exercise extreme caution at all times to prevent obstacles from striking or interfering with operating controls and persons in the platform.
- Be sure that operators of other overhead and floor level machines are aware of the aerial work platform's presence. Disconnect power to overhead cranes.
- Warn personnel not to work, stand, or walk under a raised boom or platform. Position barricades on floor if necessary.



## **1.4 TOWING, LIFTING, AND HAULING**

- Never allow personnel in platform while towing, lifting, or hauling.
- This machine should not be towed, except in the event of emergency, malfunction, power failure, or loading/unloading. Refer to the Emergency Procedures section of this manual for emergency towing procedures.
- Ensure boom is in the stowed position and, if equipped, the turntable locked prior to towing, lifting or hauling. The platform must be completely empty of tools.
- When lifting machine, lift only at designated areas of the machine. Lift the unit with equipment of adequate capacity.
- Refer to the Machine Operation section of this manual for lifting information.

## **1.5 MAINTENANCE**

This sub-section contains general safety precautions which must be observed during maintenance of this machine. Additional precautions to be observed during machine maintenance are inserted at the appropriate points in this manual and in the Service and Maintenance Manual. It is of utmost importance that maintenance personnel pay strict attention to these precautions to avoid possible injury to personnel or damage to the machine or property. A maintenance program must be established by a qualified person and must be followed to ensure that the machine is safe.

### **Maintenance Hazards**

- Shut off power to all controls and ensure that all moving parts are secured from inadvertent motion prior to performing any adjustments or repairs.
- Never work under an elevated platform until it has been fully lowered to the full down position, if possible, or otherwise supported and restrained from movement with appropriate safety props, blocking, or overhead supports.
- DO NOT attempt to repair or tighten any hydraulic hoses or fittings while the machine is powered on or when the hydraulic system is under pressure.
- Always relieve hydraulic pressure from all hydraulic circuits before loosening or removing hydraulic components.

## SECTION 1 - SAFETY PRECAUTIONS

---

- DO NOT use your hand to check for leaks. Use a piece of cardboard or paper to search for leaks. Wear gloves to help protect hands from spraying fluid.



- Ensure replacement parts or components are identical or equivalent to original parts or components.
- Never attempt to move heavy parts without the aid of a mechanical device. Do not allow heavy objects to rest in an unstable position. Ensure adequate support is provided when raising components of the machine.

- Do not use machine as a ground for welding.
- When performing welding or metal cutting operations, precautions must be taken to protect the chassis from direct exposure to weld and metal cutting spatter.
- Do not refuel the machine with the engine running.
- Use only approved non-flammable cleaning solvents.
- Do not replace items critical to stability, such as batteries or solid tires, with items of different weight or specification. Do not modify unit in any way to affect stability.
- Refer to the Service and Maintenance Manual for the weights of critical stability items.

### **⚠ WARNING**

**MODIFICATION OR ALTERATION OF AN AERIAL WORK PLATFORM SHALL BE MADE ONLY WITH PRIOR WRITTEN PERMISSION FROM THE MANUFACTURER.**

## **Battery Hazards**

- Always disconnect batteries when servicing electrical components or when performing welding on the machine.
- Do not allow smoking, open flame, or sparks near battery during charging or servicing.
- Do not contact tools or other metal objects across the battery terminals.
- Always wear hand, eye, and face protection when servicing batteries. Ensure that battery acid does not come in contact with skin or clothing.

### **CAUTION**

**BATTERY FLUID IS HIGHLY CORROSIVE. AVOID CONTACT WITH SKIN AND CLOTHING AT ALL TIMES. IMMEDIATELY RINSE ANY CONTACTED AREA WITH CLEAN WATER AND SEEK MEDICAL ATTENTION.**

- Charge batteries only in a well ventilated area.
- Avoid overfilling the battery fluid level. Add distilled water to batteries only after the batteries are fully charged.

## SECTION 1 - SAFETY PRECAUTIONS

---

 **NOTES:**


## **SECTION 2. USER RESPONSIBILITIES, MACHINE PREPARATION, AND INSPECTION**

### **2.1 PERSONNEL TRAINING**

The aerial platform is a personnel handling device; so it is necessary that it be operated and maintained only by trained personnel.

Persons under the influence of drugs or alcohol or who are subject to seizures, dizziness or loss of physical control must not operate this machine.

#### **Operator Training**

Operator training must cover:

1. Use and limitations of the controls in the platform and at the ground, emergency controls and safety systems.
2. Control labels, instructions, and warnings on the machine.
3. Rules of the employer and government regulations.
4. Use of approved fall protection device.
5. Enough knowledge of the mechanical operation of the machine to recognize a malfunction or potential malfunction.

6. The safest means to operate the machine where overhead obstructions, other moving equipment, and obstacles, depressions, holes, drop-offs.
7. Means to avoid the hazards of unprotected electrical conductors.
8. Specific job requirements or machine application.

#### **Training Supervision**

Training must be done under the supervision of a qualified person in an open area free of obstructions until the trainee has developed the ability to safely control and operate the machine.

#### **Operator Responsibility**

The operator must be instructed that he/she has the responsibility and authority to shut down the machine in case of a malfunction or other unsafe condition of either the machine or the job site.

## **2.2 PREPARATION, INSPECTION, AND MAINTENANCE**

The following table covers the periodic machine inspections and maintenance required by JLG Industries, Inc. Consult local regulations for further requirements for aerial work platforms. The frequency of inspections and maintenance must be increased as necessary when the machine is used in a harsh or hostile environment, if the machine is used with increased frequency, or if the machine is used in a severe manner.

### **NOTICE**

**JLG INDUSTRIES, INC. RECOGNIZES A FACTORY TRAINED SERVICE TECHNICIAN AS A PERSON WHO HAS SUCCESSFULLY COMPLETED THE JLG SERVICE TRAINING SCHOOL FOR THE SPECIFIC JLG PRODUCT MODEL.**

## SECTION 2 - USER RESPONSIBILITIES, MACHINE PREPARATION, AND INSPECTION

**Table 2-1. Inspection and Maintenance Table**

<b>Type</b>	<b>Frequency</b>	<b>Primary Responsibility</b>	<b>Service Qualification</b>	<b>Reference</b>
Pre-Start Inspection	Before using each day; or whenever there's an Operator change.	User or Operator	User or Operator	Operation and Safety Manual
Pre-Delivery Inspection (See Note)	Before each sale, lease, or rental delivery.	Owner, Dealer, or User	Qualified JLG Mechanic	Service and Maintenance Manual and applicable JLG inspection form
Frequent Inspection (See Note)	In service for 3 months or 150 hours, whichever comes first; or Out of service for a period of more than 3 months; or Purchased used.	Owner, Dealer, or User	Qualified JLG Mechanic	Service and Maintenance Manual and applicable JLG inspection form
Annual Machine Inspection (See Note)	Annually, no later than 13 months from the date of prior inspection.	Owner, Dealer, or User	Factory Trained Service Technician (Recommended)	Service and Maintenance Manual and applicable JLG inspection form
Preventative Maintenance	At intervals as specified in the Service and Maintenance Manual.	Owner, Dealer, or User	Qualified JLG Mechanic	Service and Maintenance Manual
<b>NOTE:</b> Inspection forms are available from JLG. Use the Service and Maintenance Manual to perform inspections.				

## SECTION 2 - USER RESPONSIBILITIES, MACHINE PREPARATION, AND INSPECTION

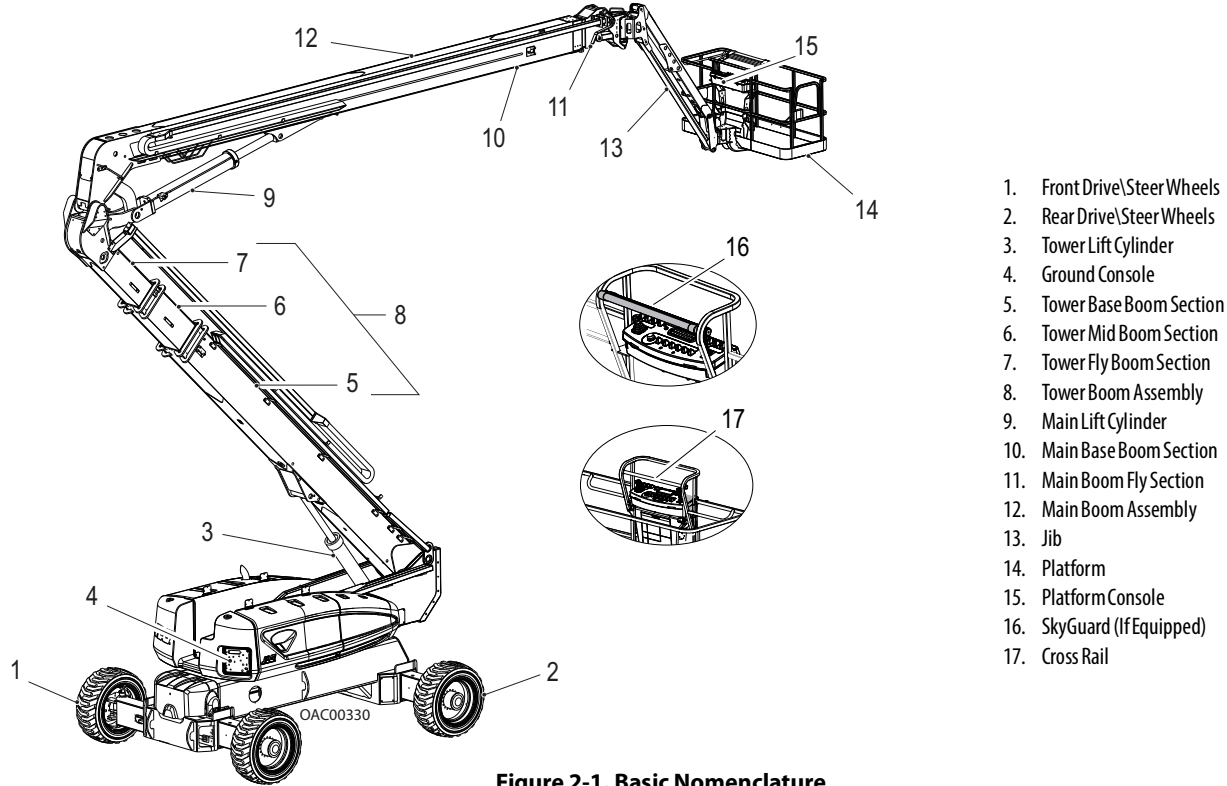


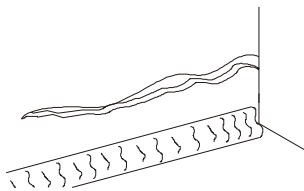
Figure 2-1. Basic Nomenclature



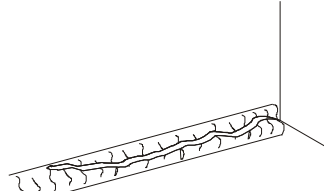
### Pre-Start Inspection

The Pre-Start Inspection should include each of the following:

1. **Cleanliness** – Check all surfaces for leakage (oil, fuel, or battery fluid) or foreign objects. Report any leakage to the proper maintenance personnel.
2. **Structure** – Inspect the machine structure for dents, damage, weld or parent metal cracks or other discrepancies.



Parent Metal Crack



Weld Crack

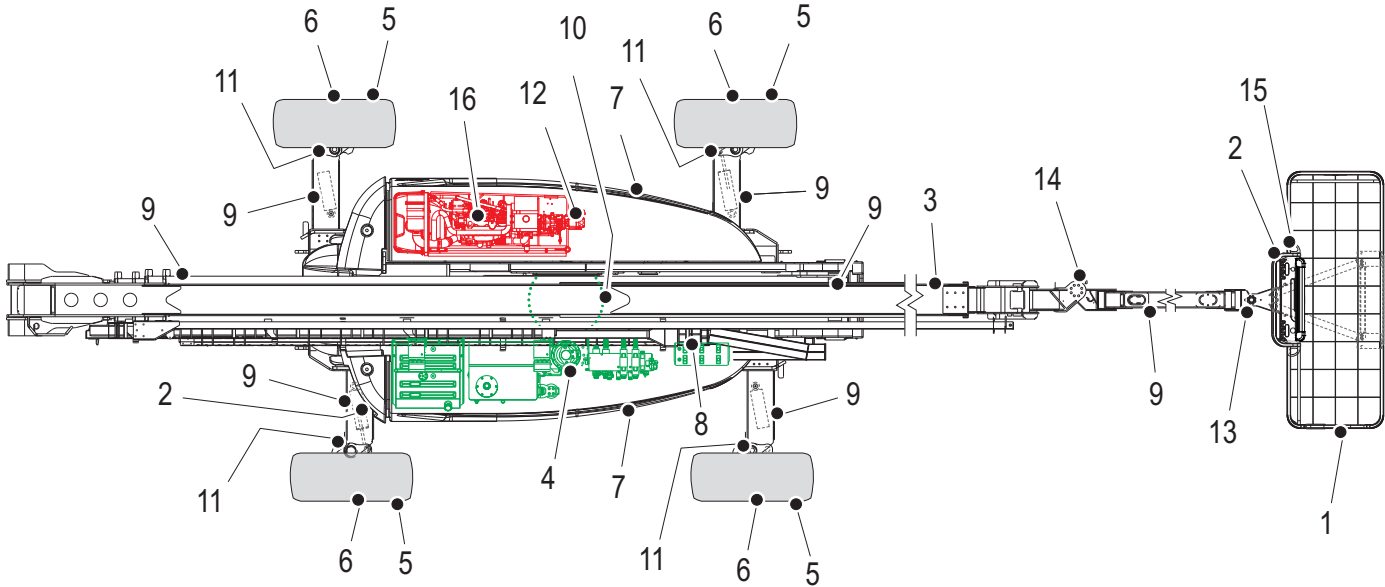
3. **Decals and Placards** – Check all for cleanliness and legibility. Make sure none of the decals and placards are missing. Make sure all illegible decals and placards are cleaned or replaced.
4. **Operation and Safety Manuals** – Make sure a copy of the Operator and Safety Manual, AEM Safety Manual (ANSI markets only), and ANSI Manual of Responsibilities (ANSI markets only) is enclosed in the weather resistant storage container.

5. **Daily Walk-Around Inspection** – Perform as instructed.
6. **Battery** – Charge as required.
7. **Fuel** (Combustion Engine Powered Machines) – Add the proper fuel as necessary.
8. **Engine Oil Supply** – Ensure the engine oil level is at the Full mark on the dipstick and the filler cap is secure.
9. **Hydraulic Oil** – Check the hydraulic oil level. Ensure hydraulic oil is added as required.
10. **Accessories/Attachments** – Refer to the Accessories section in this manual or the accessory installed upon the machine for specific inspection, operation, and maintenance instructions.
11. **Function Check** – Once the “Walk-Around” Inspection is complete, perform a functional check of all systems in an area free of overhead and ground level obstructions. Refer to Section 4 for more specific operating instructions.

### **WARNING**

**IF THE MACHINE DOES NOT OPERATE PROPERLY, TURN OFF THE MACHINE IMMEDIATELY! REPORT THE PROBLEM TO THE PROPER MAINTENANCE PERSONNEL. DO NOT OPERATE THE MACHINE UNTIL IT IS DECLARED SAFE FOR OPERATION.**

**Daily Walk-Around Inspection**



OAC00340

## SECTION 2 - USER RESPONSIBILITIES, MACHINE PREPARATION, AND INSPECTION

### General

Begin the "Walk-Around Inspection" at Item 1, as noted on the diagram. Continue checking each item in sequence for the conditions listed in the following checklist.

#### **WARNING**

**TO AVOID POSSIBLE INJURY, BE SURE MACHINE POWER IS OFF.**

**DO NOT OPERATE MACHINE UNTIL ALL MALFUNCTIONS HAVE BEEN CORRECTED.**

**INSPECTION NOTE:** *On all components, make sure there are no loose or missing parts, that they are securely fastened, and no visible damage, leaks or excessive wear exists in addition to any other criteria mentioned.*

- 1. Platform Assembly and Gate** - Footswitch works properly, not modified, disabled or blocked. Latch and hinges in working condition.
- 2. Platform & Ground Control Consoles** - Switches and levers return to neutral, decals/placards secure and legible, control markings legible.
- 3. Boom Sections/Turntable** - See Inspection Note.
- 4. Swing Drive** - No evidence of damage.
- 5. Wheel/Tire Assemblies** - Properly secured, no missing lug nuts. Inspect for worn tread, cuts, tears or other discrepancies. Inspect wheels for damage and corrosion.
- 6. Drive Motor, Brake, and Hub** - No evidence of leakage.
- 7. Hood Assemblies** - See Inspection Note.
- 8. Auxiliary Hydraulic Pump** - See Inspection Note.
- 9. All Hydraulic Cylinders** - No visible damage; pivot pins and hydraulic hoses undamaged, not leaking.
- 10. Turntable Bearing** - Evidence of proper lubrication. No evidence of loose bolts or looseness between bearing and machine.
- 11. Steering Spindles and Sensors** - See Inspection Note.
- 12. Main Hydraulic Pump** - See Inspection Note.
- 13. Platform Rotator** - See Inspection Note.
- 14. Jib Rotator** - See Inspection Note.
- 15. SkyGuard (If Equipped)** - See Inspection Note.
- 16. Air Shutoff Valve (ASOV) (If Equipped)** - See Inspection Note.

## SECTION 2 - USER RESPONSIBILITIES, MACHINE PREPARATION, AND INSPECTION

---

### Function Check

Perform the Function Check as follows:

1. From the ground control console with no load in the platform:
  - a. Check that all guards protecting the switches or locks are in place;
  - b. Operate all functions and make sure the Boom Control System warning light does not come on;
  - c. Check auxiliary power;
  - d. Ensure that all machine functions are disabled when the Emergency Stop Button is pushed in.
  - e. Ensure all boom functions stop when the function enable switch is released.
2. From the platform control console:
  - a. Ensure that the control console is firmly secured in the proper location;
  - b. Check that all guards protecting the switches or locks are in place;
  - c. Operate all functions and make sure the Boom Control System warning light does not come on;
  - d. Ensure that all machine functions are disabled when the Emergency Stop Button is pushed in.

3. With the platform in the stowed position:
  - a. Drive the machine on a grade, not to exceed the rated gradeability, and stop to ensure the brakes hold;
  - b. Check the tilt sensor alarm to ensure proper operation.
  - c. Check that all boom functions are disabled with the axles retracted and the boom out of transport mode.

**NOTE:** *The machine is in transport mode until one of the following three factors are exceeded:*

*Main boom extended more than 4 ft. (1.2 m) OR  
Main boom 6° above horizontal (w/tower stowed) OR  
Tower above horizontal.*

4. Swing the boom over either of the rear tires and ensure that the Drive Orientation indicator illuminates and that the Drive Orientation Override switch must be used for the drive function to operate.

### SkyGuard Function Test

**NOTE:** Refer to Section 4.14 for additional information on SkyGuard operation.

From the Platform Console in an area free from obstructions:

1. Operate the telescope out function.
2. Activate the SkyGuard sensor:
  - a. **SkyGuard** - Apply approximately 50 lb (222 Nm) of force to yellow bar.
  - b. **SkyGuard - SkyLine** - Press cable to break magnetic connection between the cable and right bracket.
  - c. **SkyGuard - SkyEye** - Put arm or hand in path of sensor beam.
3. Once the sensor has been activated, verify the following conditions:
  - a. Telescope out function stops and telescope in function operates for a short duration.
  - b. The horn sounds.
  - c. If equipped with a SkyGuard beacon, the beacon illuminates.

**NOTE:** If SkyGuard is enabled with the Soft Touch system, functions will cut out instead of reversing.

4. Disengage the SkyGuard sensor, release controls, then recycle the footswitch. Ensure normal operation is available.

**NOTE:** On machines equipped with SkyLine, reattach magnetic end of the cable to the bracket.

If SkyGuard remains activated after function reversal or cutout, depress and hold the SkyGuard Override Switch to allow normal use of machine functions until the sensor is disengaged.

### 2.3 OSCILLATING AXLE LOCKOUT TEST (IF EQUIPPED)

The front axles will oscillate when the boom is in the transport position.

#### **NOTICE**

**LOCKOUT SYSTEM TEST MUST BE PERFORMED QUARTERLY, ANY TIME A SYSTEM COMPONENT IS REPLACED, OR WHEN IMPROPER SYSTEM OPERATION IS SUSPECTED.**

**NOTE:** *Ensure the axles are extended and the boom is fully retracted, lowered, and centered between the rear wheels prior to beginning lockout cylinder test.*

1. Place a 6 inches (15.2 cm) high block with ascension ramp in front of left front wheel.
2. From platform control station, start engine.
3. Place the Drive control lever to the forward position and carefully drive machine up ascension ramp until left front wheel is on top of block.
4. Carefully extend the boom just enough to get it out of the transport position.
5. With boom in this position, place Drive control lever to Reverse and carefully drive machine off of block and ramp.
6. Have an assistant check to see that left front or right rear wheel remains elevated in position off of the ground.
7. Carefully return the boom to the transport position. When boom reaches the transport position, carefully activate Drive to release cylinders. The lockout cylinders should release and allow the wheel to rest on ground.
8. Repeat the procedure for the right oscillation cylinder checking to see that the right front or left rear wheel remains elevated in position off of the ground.
9. If lockout cylinders do not function properly, have qualified personnel correct the malfunction prior to any further operation.

## SECTION 3. MACHINE CONTROLS AND INDICATORS

### 3.1 GENERAL

#### **NOTICE**

**THE MANUFACTURER HAS NO DIRECT CONTROL OVER MACHINE APPLICATION AND OPERATION. THE USER AND OPERATOR ARE RESPONSIBLE FOR CONFORMING WITH GOOD SAFETY PRACTICES.**

This section provides the necessary information needed to understand control functions.

### 3.2 CONTROLS AND INDICATORS

**NOTE:** All machines are equipped with control panels that use symbols to indicate control functions. On ANSI machines refer to decal located on the control box guard in front of the control box or by the ground controls for these symbols and the corresponding functions.

**NOTE:** The indicator panels use different shaped symbols to alert the operator to different types of operational situations that could arise. The meaning of those symbols are explained below.



Indicates a potentially hazardous situation, which if not corrected, could result in serious injury or death. This indicator will be red.



Indicates an abnormal operating condition, which if not corrected, may result in machine interruption or damage. This indicator will be yellow.



Indicates important information regarding the operating condition, i.e. procedures essential for safe operation. This indicator will be green with the exception of the capacity indicator which will be green or yellow depending upon platform position.

## SECTION 3 - MACHINE CONTROLS AND INDICATORS

---

### **WARNING**

TO AVOID SERIOUS INJURY, DO NOT OPERATE MACHINE IF ANY CONTROL LEVERS OR TOGGLE SWITCHES CONTROLLING PLATFORM MOVEMENT DO NOT RETURN TO THE OFF POSITION WHEN RELEASED.

### Ground Control Station

(See Figure 3-1., Ground Control Station) and Section 3-2., Ground Control Station with Machine Safety System Override (MSSO) (CE Only).

#### 1. Indicator Panel

The Indicator Panel contains indicator lights that signal problem conditions or functions operating during machine operation.

**NOTE:** *The Function Enable switch must be held down in order to operate Main Boom Telescope, Tower Lift, Swing, Main Lift, Jib Lift, Platform Level Override, Platform Rotate, and Jib Swing functions.*



#### 2. Main Boom Telescope Control

Provides extension and retraction of the main boom.

#### 3. Tower Lift Control

Provides raising and lowering of the tower boom.

#### 4. Swing Control

Provides 360 degrees continuous turntable rotation.

#### 5. Main Lift Control

Provides raising and lowering of the main boom.

#### 6. Jib Lift

Provides raising and lowering of the jib.

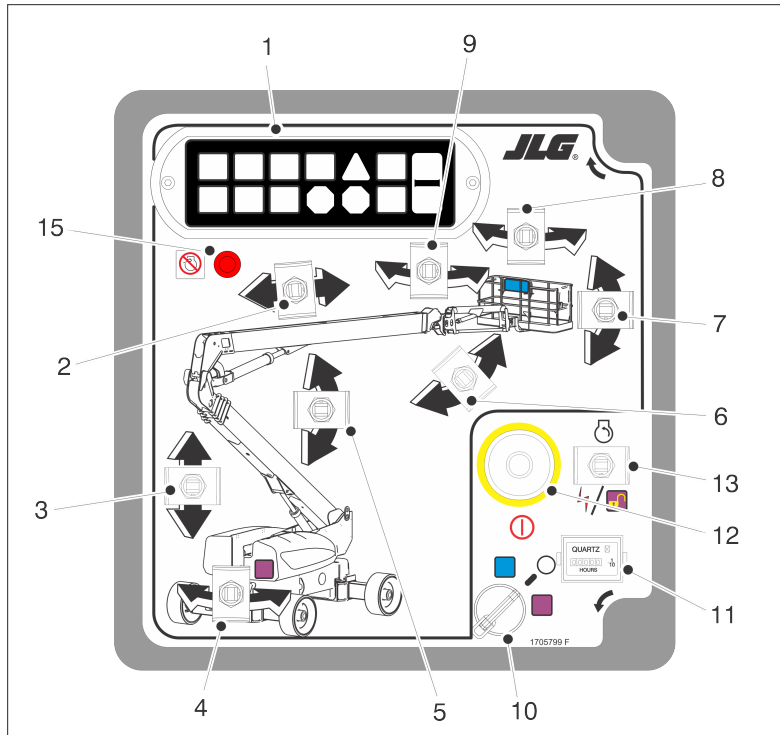
### **WARNING**

**ONLY USE THE PLATFORM LEVELING OVERRIDE FUNCTION FOR SLIGHT LEVELING OF THE PLATFORM. INCORRECT USE COULD CAUSE THE LOAD/OCCUPANTS TO SHIFT OR FALL. FAILURE TO DO SO COULD RESULT IN DEATH OR SERIOUS INJURY.**

#### 7. Platform Leveling Override

A three position switch allows the operator to adjust the automatic self leveling system. This switch is used to adjust platform level in situations such as ascending/descending a grade.

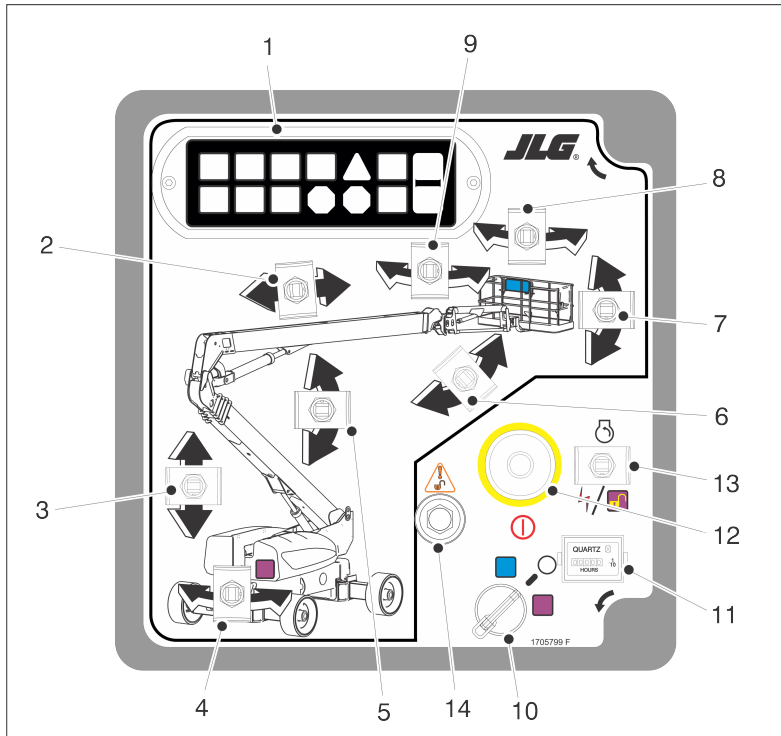




1. Indicator Panel
2. Main Boom Telescope
3. Tower Boom Lift
4. Swing
5. Main Boom Lift
6. Jib Lift
7. Platform Leveling Override
8. Platform Rotate
9. Jib Swing
10. Platform/Ground Select Switch
11. Hourmeter
12. Power/Emergency Stop
13. Engine Start/Auxiliary Power/Function Enable
14. Not Used
15. Air Shutoff Valve (ASOV) (If Equipped)

**Figure 3-1. Ground Control Station**

## SECTION 3 - MACHINE CONTROLS AND INDICATORS



1. Indicator Panel
2. Main Boom Telescope
3. Tower Boom Lift
4. Swing
5. Main Boom Lift
6. Jib Lift
7. Platform Leveling Override
8. Platform Rotate
9. Jib Swing
10. Platform/Ground Select Switch
11. Hourmeter
12. Power/Emergency Stop
13. Engine Start/Auxiliary Power/Function Enable
14. Machine Safety System Override (MSSO)

**Figure 3-2. Ground Control Station with Machine Safety System Override (MSSO) (CE Only)**

### 8. Platform Rotate

Allows rotation of the platform.

### 9. Jib Swing

Allows swinging of the jib.

**NOTE:** With PLATFORM/GROUND SELECT switch in the center position, power is shut off to controls at both operating stations.

### 10. Platform/Ground Select Switch

A three position, key operated switch supplies power to the platform control console when positioned to PLATFORM. With the switch key held in the GROUND position, power is shut off to platform and only ground controls are operable.

### 11. Hourmeter

Registers the amount of time the machine has been in use, with engine running. By connecting into the oil pressure circuit of the engine, only engine run hours are recorded. The hourmeter registers up to 9,999.9 hours and cannot be reset.

**NOTE:** When Power/Emergency Stop switch is in the "ON" position and engine is not running, an alarm will sound, indicating Ignition is "ON".

## NOTICE

**WHEN THE MACHINE IS SHUT DOWN THE MASTER/EMERGENCY STOP SWITCH MUST BE POSITIONED TO THE "OFF" POSITION TO PREVENT DRAINING THE BATTERY.**

### 12. Power/Emergency Stop Switch

A two-position red mushroom shaped switch supplies power to PLATFORM/GROUND SELECT switch when pulled out (on). When pushed in (off), power is shut off to the PLATFORM/GROUND SELECT switch.

## SECTION 3 - MACHINE CONTROLS AND INDICATORS

**NOTE:** Auxiliary power only works if there is no engine oil pressure, and is disabled if engine is running.

Functions will operate at a slower than normal rate because of the reduced hydraulic flow.

### NOTICE

**WHEN USING AUXILIARY POWER, DO NOT OPERATE MORE THAN ONE FUNCTION AT A TIME. (SIMULTANEOUS OPERATION CAN OVERLOAD THE AUXILIARY PUMP.)**

#### 13. Engine Start/ Auxiliary Power Switch /Function Enable

To start the engine, the switch must be held "UP" until the engine starts.



To use auxiliary power, the switch must be held "DOWN" for duration of auxiliary pump use.



When the engine is running, the switch must be held "DOWN" to enable all boom controls.



#### 14. Machine Safety System Override (MSSO) (CE Only)

Provides emergency override of function controls that are locked out in the event of Load Sense System activation.



#### 15. Air Shutoff Valve (ASOV) (If Equipped)

The red LED ASOV light indicates when the valve has been actuated.



### Ground Control Indicator Panel

(See Figure 3-3., Ground Control Indicator Panel)

**1. Battery Charging Indicator**

Indicates a problem in the battery or charging circuit, and service is required.

**2. Low Engine Oil Pressure Indicator**

Indicates that engine oil pressure is below normal and service is required.

**3. High Engine Temperature Indicator**

Indicates that engine coolant temperature is abnormally high and service is required.

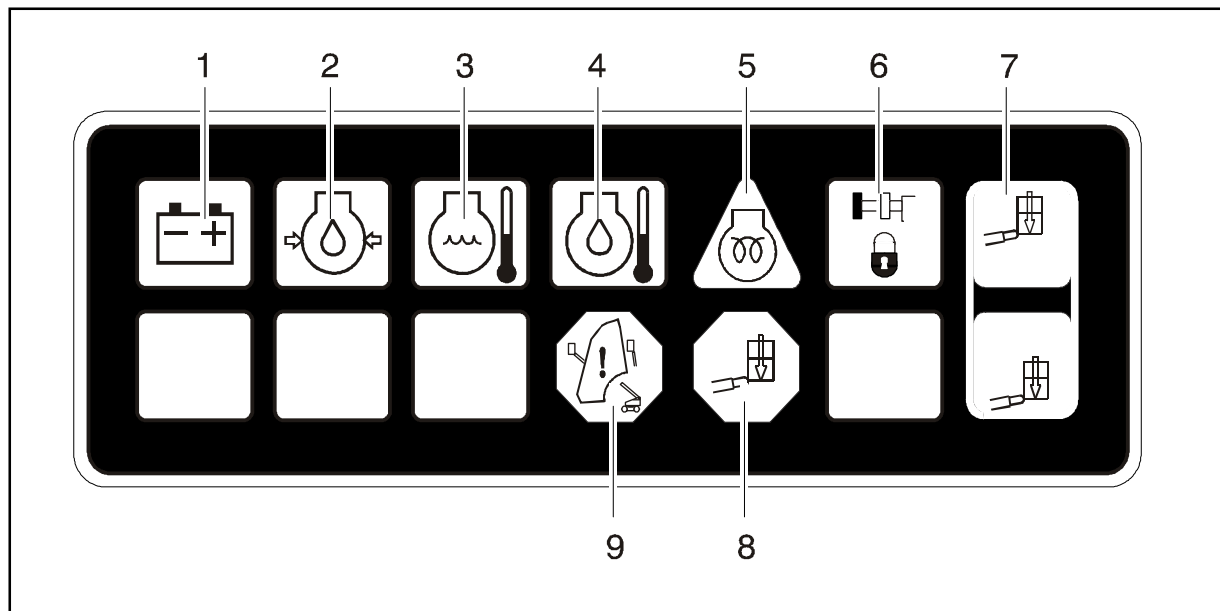
**4. Engine Oil Temperature Indicator**

Indicates the temperature of the engine oil, which also serves as engine coolant, is abnormally high and service is required.

**5. Glow Plug Indicator**

Indicates the glow plugs are operating. After turning on ignition, wait until light goes out before cranking engine.

## SECTION 3 - MACHINE CONTROLS AND INDICATORS



- |                              |                          |                                |
|------------------------------|--------------------------|--------------------------------|
| 1. Battery Charging          | 4. High Engine Oil Temp. | 7. Platform Capacity           |
| 2. Low Engine Oil Pressure   | 5. Glow Plug Indicator   | 8. Platform Overload           |
| 3. High Engine Coolant Temp. | 6. Axles Set             | 9. Boom Control System Warning |

**Figure 3-3. Ground Control Indicator Panel**

### 6. Axles Set Indicator

Indicates that the axles are fully extended. The indicator will flash as the axles are extending or retracting and be on solid when fully extended. The light will go out when the axles are fully retracted.

### 7. Platform Capacity Indicator

Indicates which capacity range is selected. This capacity can only be selected at the platform control console.

### 8. Platform Overload Indicator (If Equipped)

Indicates the platform has been overloaded.

### 9. Boom Control System Warning Indicator

Indicates the platform is outside the operating area and operation of certain boom functions may be disabled (i.e. lift, telescope). Attempts to use the disabled functions cause the indicator to flash and an alarm to sound. Immediately return the platform to the ground. If the indicator remains lit, a boom control system fault or failure has been detected. If a failure is discovered, the system must be repaired by JLG authorized service personnel before the machine can be used.

## Platform Station

(See Figure 3-4., Platform Control Console)

### **WARNING**

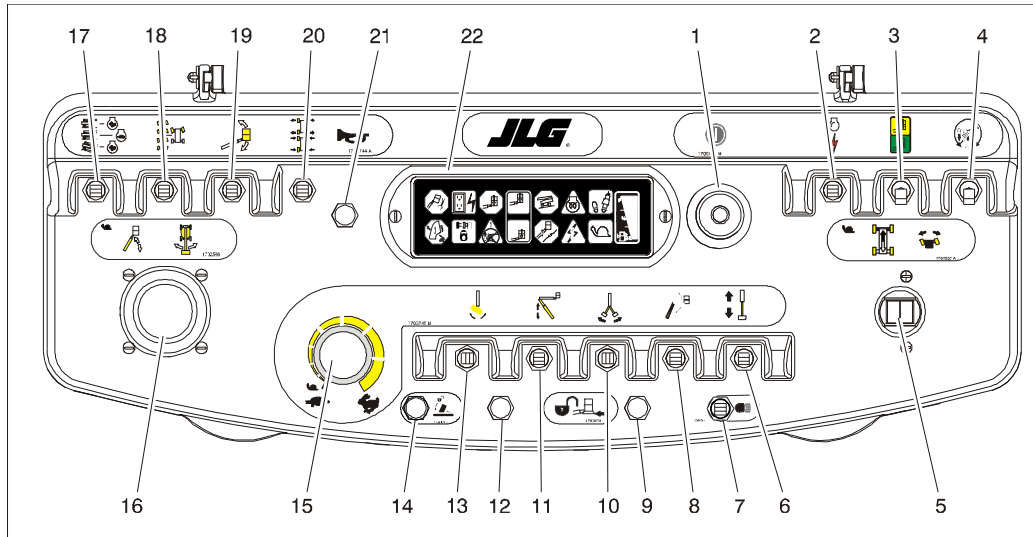
**TO AVOID SERIOUS INJURY, DO NOT OPERATE MACHINE IF ANY CONTROL LEVERS OR TOGGLE SWITCHES CONTROLLING PLATFORM MOVEMENT DO NOT RETURN TO THE OFF OR NEUTRAL POSITION WHEN RELEASED.**

#### 1. Power/Emergency Stop

A two-position red mushroom shaped switch supplies power to PLATFORM Controls when pulled out (on). When pushed in (off), power is shut off to the platform controls.

Within about 2 seconds of pulling the switch out, the machine will perform a diagnostic check of the various electrical circuits, and if everything is OK, the platform alarm will beep once. During this time the lights on the indicator panel will also blink once as a bulb check.

## SECTION 3 - MACHINE CONTROLS AND INDICATORS



- |                               |                                   |                                 |                             |
|-------------------------------|-----------------------------------|---------------------------------|-----------------------------|
| 1. Power/Emergency Stop       | 7. Lights                         | 13. Platform Rotate             | 19. Platform Level Override |
| 2. Engine Start / Aux Power   | 8. Jib Lift                       | 14. Jib Stow Override           | 20. Axle Extend/Retract     |
| 3. Capacity Select            | 9. Soft Touch/SkyGuard Override   | 15. Function Speed Control      | 21. Horn                    |
| 4. Drive Orientation Override | 10. Jib Swing                     | 16. Main Lift / Swing           | 22. Indicator Panel         |
| 5. Drive/Steer                | 11. Tower Boom Lift               | 17. Drive Speed / Torque Select |                             |
| 6. Main Boom Telescope        | 12. Soft Touch/SkyGuard Indicator | 18. Steer Select                |                             |

**Figure 3-4. Platform Control Console**



### 2. Start/Auxiliary Power

When pushed forward, the switch energizes the starter motor to start the engine.

When pushed back, it energizes the electrically operated hydraulic pump, when actuated. (Switch must be held ON for duration of auxiliary pump use.)

### 3. Capacity Select

This switch allows the operator to select between an operating envelope with a 500 lb. (227 kg for ANSI markets and 230 kg for CE and Australia markets) capacity restriction or a 1000 lb. (454 kg for ANSI markets and 450 kg for CE and Australia markets) capacity restriction.

### 4. Drive Orientation Override

When the boom is swung over the rear tires or further in either direction, the Drive Orientation indicator will illuminate when the drive function is selected. Push and release the switch, and within 3 seconds move the Drive/Steer control to activate drive or steer. Before driving, locate the black/white orientation arrows on both the chassis and the platform controls. Move the drive controls in a direction matching the directional arrows.

**NOTE:** *To operate the Drive Joystick, pull up on the locking ring below the handle.*

**NOTE:** *The DRIVE control levers are spring-loaded and will automatically return to neutral (OFF) position when released.*

### 5. Drive/Steer

Provides for driving either forward or backward. The controller is infinitely proportional to allow variable drive speed.

Steering is controlled by a thumb operated switch on top of the joystick.

## SECTION 3 - MACHINE CONTROLS AND INDICATORS

### 6. Main Telescope

Allows extension and retraction of the main boom.

### 7. Lights (If Equipped)

Operates accessory light packages if the machine is so equipped.

### 8. Jib Lift

Push forward to lift up, pull back to lift down. Variable lift speed is accomplished by using the Function Speed Control.

### 9. Soft Touch/SkyGuard Override Switch (If equipped)

The machine can be equipped with one of three options. It may have Soft Touch, SkyGuard, or both Soft Touch and SkyGuard.

If equipped with Soft Touch, the switch enables the functions that were cut out by the Soft Touch system to operate again at creep speed, allowing the operator to move the platform away from the obstacle that caused the shutdown situation.



If equipped with SkyGuard, the switch enables functions cut out by the SkyGuard system to be operated again, allowing the operator to resume use of machine functions.



If equipped with both Soft Touch and SkyGuard, the switch operates like described above and allows the operator to override the system that has experienced a cutout situation.



**NOTE:** *The Jib Swing function is not operable when the Capacity Select control is in the 1000 lb. (454 kg for ANSI markets and 450 kg for CE and Australia markets) position.*

### 10. Jib Swing

Allows the operator to swing the jib to the left or right.

### 11. Tower Boom Lift

Allows raising and lowering of the tower boom by activating the tower lift and telescope cylinders as dictated by the Boom Control System.

## SECTION 3 - MACHINE CONTROLS AND INDICATORS

---

### 12. Soft Touch/SkyGuard Indicator (If Equipped)

Indicates the Soft Touch bumper is against an object or the SkyGuard sensor has been activated. All controls are cut out until the override button is pushed. For Soft Touch, controls are then active in the Creep Mode or for SkyGuard, controls will work normally.

### 13. Platform Rotate

Allows the operator to rotate the platform to the left or right.

### 14. Jib Stow Override

Allows the operator to swing the jib to the right past the electronic stop to stow the jib beside the boom for transport.

### 15. Function Speed Control

Controls the speed of Boom and Swing Functions. Rotate CCW for slower speed and CW for faster speed. To adjust to creep, turn knob fully CCW until it clicks.

**NOTE:** To operate the Main Lift/Swing Joystick, pull up on the locking ring below the handle.

**NOTE:** The MAIN LIFT/SWING control lever is spring-loaded and will automatically return to neutral (OFF) position when released.

### 16. Main Boom Lift/Swing Controller

An infinitely proportional dual axis joystick is provided for main lift and swing. Push forward to lift up, pull backward to lift down. Move right to swing right, move left to swing left.

## SECTION 3 - MACHINE CONTROLS AND INDICATORS

---

**NOTE:** When boom is positioned above transport position or telescoped out and any of the following switches, DRIVE SPEED/TORQUE SELECT or FUNCTION SPEED, are positioned to HIGH, high function speeds are automatically cut out and the machine continues to operate at a lower speed.

### CAUTION

**DO NOT OPERATE MACHINE IF DRIVE SPEED/TORQUE SELECT OR FUNCTION SPEED SWITCHES OPERATE WHEN BOOM IS OUT OF TRANSPORT POSITION.**

#### 17. Drive Speed/Torque Select

The forward position gives maximum drive speed. The back position gives maximum torque for rough terrain and climbing grades. The center position allows the machine to be driven as quietly as possible.

#### 18. Steer Select

The action of the steering system is operator selectable. The center switch position gives conventional front wheel steering with the rear wheels unaffected. This is for normal driving at maximum speeds. The forward position is for “crab” steering. When in this mode both front and rear axles steer in the same direction, which allows the chassis to move sideways as it goes forward. This can be used for positioning the machine in aisle ways or close to buildings. The back switch position is for “coordinated” steering. In this mode the front and rear axles steer in the opposite directions to produce the tightest turning circle for maneuvering in confined areas.

### WARNING

**ONLY USE THE PLATFORM LEVELING OVERRIDE FUNCTION FOR SLIGHT LEVELING OF THE PLATFORM. INCORRECT USE COULD CAUSE THE LOAD/OCCUPANTS TO SHIFT OR FALL. FAILURE TO DO SO COULD RESULT IN DEATH OR SERIOUS INJURY.**

#### 19. Platform Leveling Override

A three position switch allows the operator to adjust the automatic self leveling system. This switch is used to adjust platform level in situations such as ascending/descending a grade.

### 20. Axle Extend/Retract

Allows the operator to extend or retract the axles. The axles can only be extended or retracted while the machine is being driven forward or reverse.

### 21. Horn

If pressed, this switch supplies power to the horn.

### 22. Indicator Panel

The LED Indicator Panel contains indicator lights that signal problem conditions or functions operating during machine operation.

## Platform Control Indicator Panel

(See Figure 3-5., Platform Control Indicator Panel)

### 1. Level System Fault Indicator

Indicates a fault in the electronic leveling system. The fault indicator will flash and an alarm sound. All functions will default to creep if the boom is out of transport mode.

## **WARNING**

**IF THE LEVEL SYSTEM FAULT INDICATOR IS ILLUMINATED, SHUT DOWN THE MACHINE, RESET THE EMERGENCY STOP, AND RESTART THE MACHINE. IF THE FAULT PERSISTS, RETURN THE PLATFORM TO THE STOWED POSITION, USING MANUAL LEVELING AS REQUIRED, AND HAVE LEVELING SYSTEM REPAIRED.**

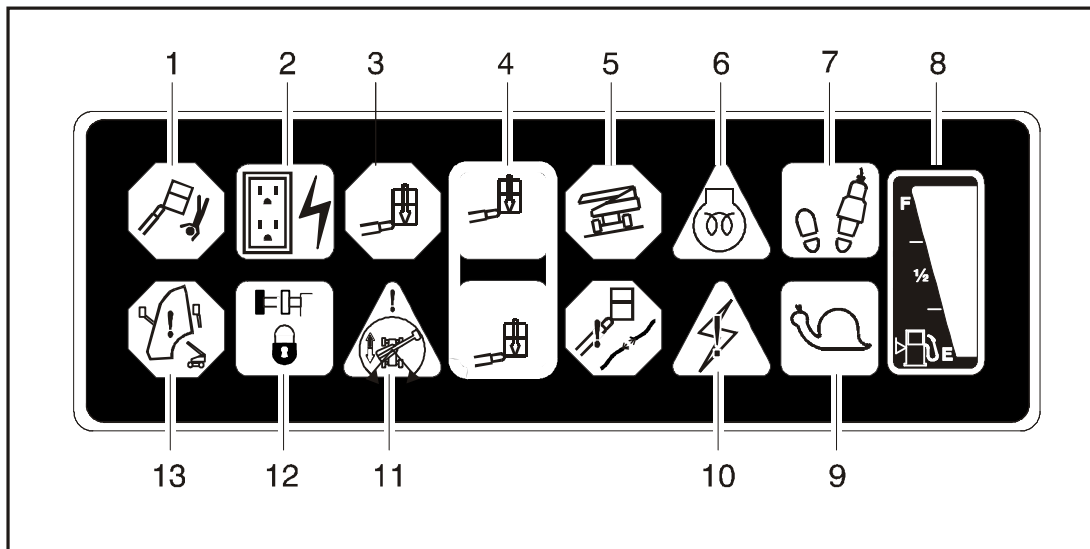
### 2. AC Generator (If Equipped)

Indicates the generator is in operation.

### 3. Platform Overload Indicator (If Equipped)

Indicates the platform has been overloaded.

## SECTION 3 - MACHINE CONTROLS AND INDICATORS



- |                       |                     |                                 |
|-----------------------|---------------------|---------------------------------|
| 1. Level System       | 6. Glow Plug        | 11. Drive Orientation           |
| 2. AC Generator       | 7. Enable           | 12. Axles Set                   |
| 3. Platform Overload  | 8. Fuel Level       | 13. Boom Control System Warning |
| 4. Platform Capacity  | 9. Creep Speed      |                                 |
| 5. Tilt Alarm Warning | 10. System Distress |                                 |

**Figure 3-5. Platform Control Indicator Panel**

### 4. Platform Capacity Indicator

Indicates the maximum platform capacity selected for the platform.

One of the capacity lights should be on at all times. Both lights will flash and an alarm will sound if the platform is out of the operating envelope for the selected capacity.

### 5. Tilt Alarm Warning Light



**IF ILLUMINATED WHEN BOOM IS RAISED OR EXTENDED, RETRACT AND LOWER TO BELOW HORIZONTAL THEN REPOSITION MACHINE SO THAT IT IS LEVEL BEFORE EXTENDING BOOM OR RAISING BOOM FROM THE TRANSPORT POSITION.**

Indicates that the chassis is on a slope (over 3 to 5 degrees, depending upon boom angle). If the boom is out of transport position and the machine is on a slope, an alarm will sound and CREEP is automatically activated.

### 6. Glow Plug/Wait to Start Indicator

**NOTE:** *If the engine fails to start due to cold temperatures or excessive amounts of smoke are produced on startup, wait for the glow plug/wait to start indicator to go out before starting the engine.*

Indicates the glow plugs are operating. After turning on ignition, wait until light goes out before starting engine.

## SECTION 3 - MACHINE CONTROLS AND INDICATORS

### 7. Footswitch/Enable Indicator

#### **⚠ WARNING**

**TO AVOID SERIOUS INJURY, DO NOT REMOVE, MODIFY OR DISABLE THE FOOTSWITCH BY BLOCKING OR ANY OTHER MEANS.**

#### **⚠ WARNING**

**FOOTSWITCH MUST BE ADJUSTED IF FUNCTIONS ACTIVATE WHEN SWITCH ONLY OPERATES WITHIN LAST 1/4" OF TRAVEL, TOP OR BOTTOM.**

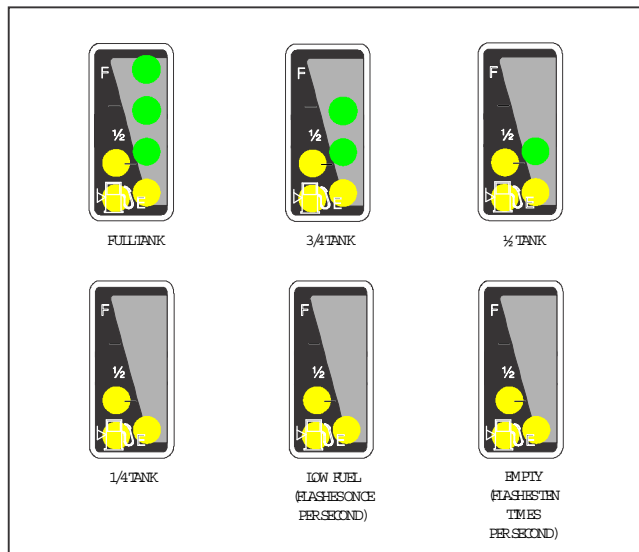
To operate any function, the footswitch must be depressed and the function selected within seven seconds. The enable indicator shows that the controls are enabled. If a function is not selected within seven seconds, or if a seven second lapse between ending one function and beginning the next function, the enable light will go out and the footswitch must be released and depressed again to enable the controls.

Releasing the footswitch removes power from all controls and applies the drive brakes.

**NOTE:** Refer to Fuel Reserve/Shut-Off System in Section 4 for more detailed information concerning the Low Fuel Indicator.

### 8. Fuel Level Indicator

Indicates the level of fuel in the fuel tank.



**Figure 3-6. Fuel Level Indicator**



### **9. Creep Speed Indicator**

When the Function Speed Control is turned to the creep position, the indicator acts as a reminder that all functions are set to the slowest speed. The light flashes if the control system puts the machine into creep speed and will be on continuously if the operator selects creep speed.

### **10. System Distress Indicator**

The light indicates that the JLG Control System has detected a malfunction and a Diagnostic Trouble Code has been set in the system memory. Refer to the Service Manual for instructions concerning the trouble codes and trouble code retrieval.

The malfunction indicator light will illuminate for 2-3 seconds when the key is positioned to the on position to act as a self test.

### **11. Drive Orientation Indicator**

When the boom is swung beyond the rear drive tires or further in either direction, the Drive Orientation indicator will illuminate when the drive function is selected. This is a signal for the operator to verify that the drive control is being operated in the proper direction (i.e. controls reversed situations).

### **12. Axles Set Indicator**

Indicates that the axles are fully extended. The indicator will flash as the axles are extending or retracting and be on solid when fully extended. The light will go out when the axles are fully retracted.

### **13. Boom Control System Warning Indicator**

Indicates the platform is outside the operating area and operation of certain boom functions may be disabled (i.e. lift, telescope). Attempts to use the disabled functions cause the indicator to flash and an alarm to sound. Immediately return the platform to the ground. If the indicator remains lit, a boom control system fault or failure has been detected. If a failure is discovered, the system must be repaired by JLG authorized service personnel before the machine can be used.



## **SECTION 4. MACHINE OPERATION**

### **4.1 DESCRIPTION**

This machine is a mobile elevating work platform used to position personnel, along with their necessary tools and materials at work locations.

The primary operator control station is in the platform. From this control station, the operator can drive and steer the machine in both forward and reverse directions. The operator can raise or lower the main or tower boom or swing the boom to the left or right. Standard boom swing is 360 degree continuous left and right of the stowed position. The machine has a Ground Control Station which will override the Platform Control Station. Ground Controls operate Boom Lift and Swing, and are to be used in an emergency to lower the platform to the ground should the operator in the platform be unable to do so.

### **4.2 HYDRAULIC SYSTEM WARM UP**

The control system monitors the hydraulic system in extremely cold temperatures and provides optimal performance by automatically limiting the function speeds of the high demand functions. The warm up mode automatically shuts off when system oil reaches allowable temperatures.

While the system is cold and in the warm up mode, the tower lift, main lift, and main telescope functions are limited to creep speeds and is indicated to the operator by flashing the creep light on the platform control panel.

Functions being operated when the warm up mode turns off will remain in the creep speed until the function is re-initiated.

### **4.3 BOOM OPERATING CHARACTERISTICS AND LIMITATIONS**

#### **Capacities**

The boom can be raised from the transport position with or without any load in platform, if:

1. Machine is positioned on a smooth, firm and level surface.
2. Axles are extended.
3. Load is within manufacturer's rated capacity.
4. All machine systems are functioning properly.
5. Proper tire pressure.
6. Machine is as originally equipped from JLG.

## **Envelope Control System**

The Envelope Control System is the primary means of controlling the working positions of the tower and main boom within the stability and structural requirements of the machine.

The main boom must be controlled in maximum angle and minimum angle to avoid entering a position that could compromise backward stability and avoid main boom to tower boom interference. The tower boom must be controlled by permitting only specific combinations of tower length and tower angle to avoid entering a position that could compromise forward and backward stability (see Tower Path Control System).

Recognized failures within this system will result in control by the Electrical Retrieval System (refer to the Service Manual), reduced function speeds, and BCS warning light illumination. After retrieval the boom will be restricted from leaving the transport position until the failure is resolved.

Boom position violations outside of the allowable envelope will result in reduced function speeds, BCS warning light illumination, and restriction of functions. Attempts to operate restricted functions will cause the BCS warning light to flash and the platform alarm to sound.

Violations of the tower path (with a healthy control system) will cause the automatic combined operation of tower lift and tower telescope to be suspended. A forward tower path violation can be resolved by operating the tower lift up switch (tower tele-

scope out without auto tower lift up) or the tower lift down switch (tower lift down without auto tower telescope in). A backward tower path violation can be resolved by operating the tower lift up switch (tower lift up without auto tower telescope out) or the tower lift down switch (tower telescope in without auto tower lift down).

The restricted functions due to backward tower envelope violations are disallowing automatic tower lift down, automatic tower telescope out, main lift up and down, main telescope in, jib, swing, drive and steer.

The restricted functions due to forward tower envelope violations are disallowing automatic tower lift up, automatic tower telescope in, main lift up and down, main telescope out, jib, swing, drive and steer.

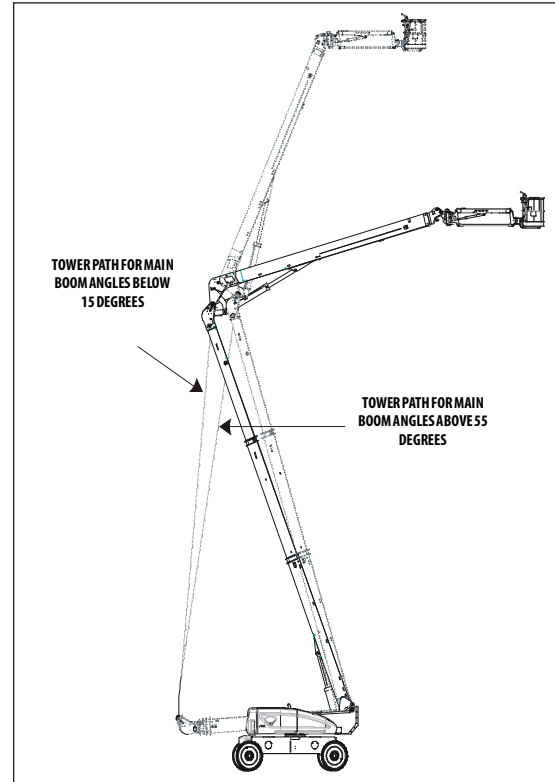
The restricted functions due to maximum main boom envelope violations are disallowing tower lift up and down, main lift up, main telescope in, jib, swing and drive.

The restricted functions due to minimum main boom envelope violations are disallowing main lift down, swing and drive.

## **Tower Path Control System**

The Tower Path Control System uses the envelope control sensors to enhance the control of the tower boom for increased user efficiency and is used as an integral part of the envelope control system.

Both the ground and platform control panels use one function switch to control the tower. User commands for tower lift up or tower lift down causes the control system to automatically introduce the correct combination of tower telescope and tower lift for the tower boom to follow a pre-described path or trajectory of the tower nose.



### Automatic Main Boom Control System

During combined tower lift and main lift functions, the control system will maintain the tower lift speed and automatically vary the maximum main lift command as needed to compensate for the movement of the tower.

The interaction of the main boom and the tower boom is slightly different when the main boom is above or below 60° relative to gravity.

#### TOWER LIFT UP/DOWN - MAIN BOOM BELOW 60°

During tower lift up or down with the main boom below 60°, the control system will maintain the angle of the main boom read at the start of the tower lift command or as read at the conclusion of main lift during combined tower and main lift commands.

#### TOWER LIFT DOWN - MAIN BOOM ABOVE 60°

During tower lift down with the main boom initially above 60°, the control system will lower the main boom to approximately 60° before starting tower movement. The control system will then control the main boom to 60° for the remainder of the tower lift down command.

#### TOWER LIFT UP - MAIN BOOM ABOVE 60°

During tower lift up with the main boom already above 60°, the control system will delay automatic compensation of the main boom angle during tower lift until the main boom reaches approximately 60°. The control system will then control the main boom to 60° until the tower boom has reached its maximum height. Continuing to operate the tower lift up when the tower reaches its maximum height will cause the control system to automatically raise the main boom to its original angle.

### Slow Down System

The control system uses the envelope control sensors to automatically slow down the tower lift up and tower lift down at the top of the tower path and to automatically slow down main lift up and main lift down as the minimum and maximum angles of the working envelope are approached. The control system indicates to the operator this slow down by flashing the creep light on the platform display. This applies to both platform and ground controls, however, no indication is made on the ground control panel.

### Controlled Angle

The Controlled Boom Angle System minimizes the interaction of swing and drive functions with the envelope edges. This interaction is due to two factors. First, the envelope is controlled relative to gravity regardless of ground slope and second, the turntable/boom mounting is effected by swing and drive functions when the ground slope varies. This can cause the boom position to vary within the envelope or even violate the envelope edges when swinging or driving without intentionally moving the boom. The controlled boom angle system automatically activates either the tower or main boom lift up or down during swing and drive commands to maintain a constant boom angle relative to gravity.

Controlled boom angle is disabled with any envelope violation or failure.

### Swing Speed Proportioning

The boom control system sensors sense the distance the platform is extended from the centerline of rotation, allowing higher swing speeds with the platform nearest to the centerline of rotation and gradually slower swing speeds the further the platform gets from the centerline of rotation.

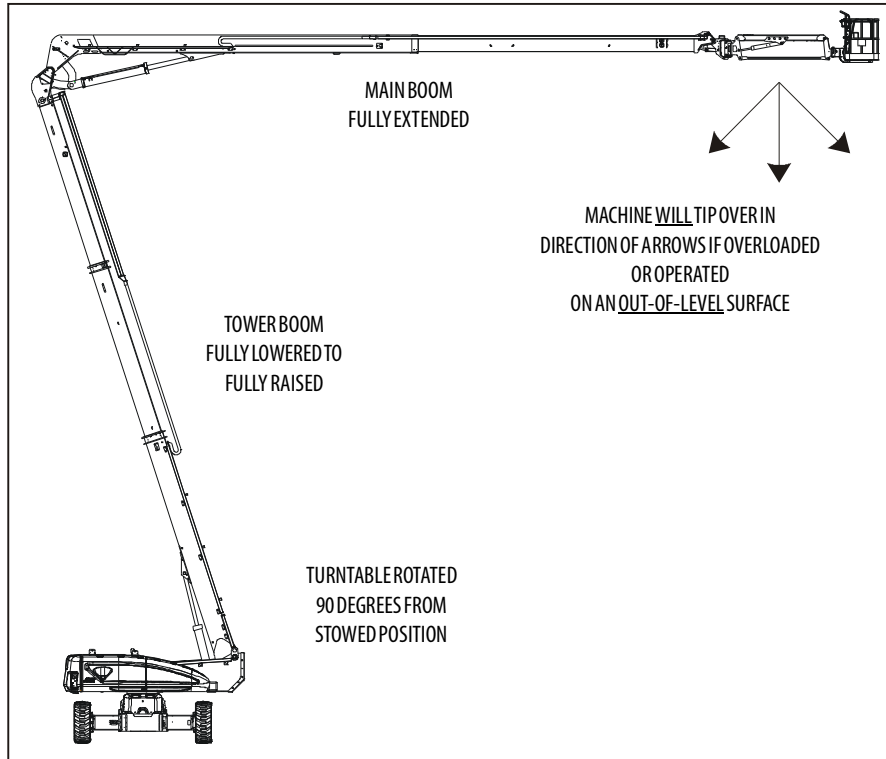
### Stability

Machine stability is based on two (2) conditions which are called FORWARD and BACKWARD stability. The machine's position of least FORWARD stability is shown in (See Figure 4-2.), and its position of least BACKWARD stability is shown in (See Figure 4-4.)



**TO AVOID FORWARD OR BACKWARD TIPPING, DO NOT OVERLOAD MACHINE OR OPERATE THE MACHINE ON AN OUT-OF-LEVEL SURFACE.**





**Figure 4-2. Position of Least Forward Stability**

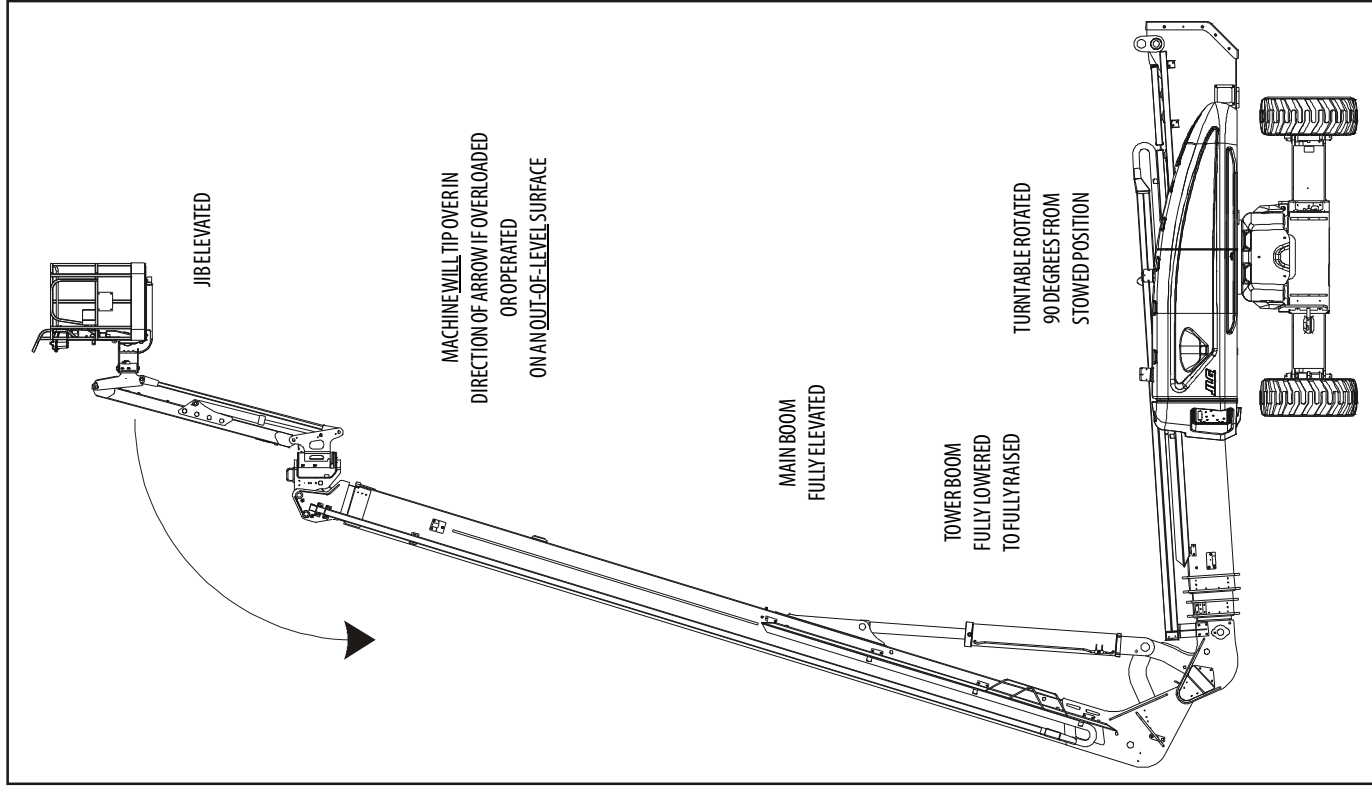


Figure 4-3. Position of Least Backward Stability - Sheet 1 of 2

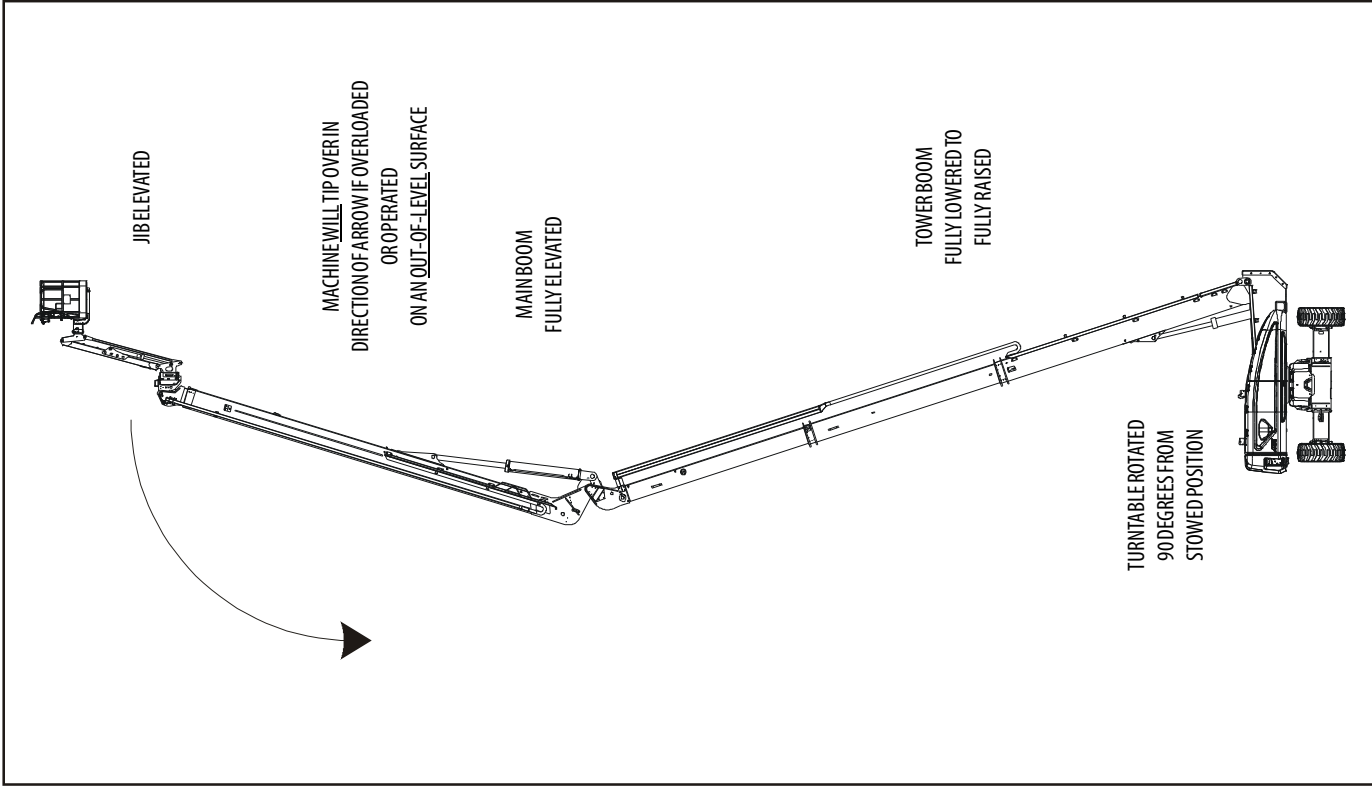


Figure 4-4. Position of Least Backward Stability - Sheet 2 of 2

### 4.4 AUXILIARY POWER OPERATION

The Auxiliary Power System provides a means of moving the platform in the event of an engine malfunction. This system uses an electric motor/pump unit capable of operating all boom functions needed to allow the platform to be lowered to ground level.

With auxiliary power activated, the control system will attempt to use the force of gravity to operate main lift down, tower lift down, and tower telescope in. If appropriate movement is not detected by the boom sensors, the auxiliary power system will supply hydraulic flow to power boom movement. Allow sufficient operating time for system to respond.

**NOTE:** *To ensure sufficient battery life, where possible, use the Main Lift and Main Telescope functions to lower the platform to ground level before using Tower Lift. Movements of the boom using auxiliary power will be SLOW and the movements will momentarily stop and alternate between other functions as needed. When operating Tower Lift, the movements will alternate between tower lift, tower telescope, and main lift. When operating Main Lift, the movements will alternate between main lift, tower lift, and platform level.*

### 4.5 CAPACITY SELECT

The Boom Control System allows the operator to select operation in a 500 lb. (227 kg for ANSI markets and 230 kg for CE and Australia markets) capacity restriction envelope or a 1000 lb. (454 kg for ANSI markets and 450 kg for CE and Australia markets) capacity restriction envelope. The operator selects the desired capacity restriction by positioning the Capacity Select switch on the platform console. The Capacity Indicator shows the capacity selected, and both capacity lights will flash and an alarm sound if the platform is out of the selected capacity range.

**NOTE:** *Operation in the 1000 lb. (454 kg for ANSI markets and 450 kg for CE and Australia markets) envelope requires the jib to be fixed in the centered position.*

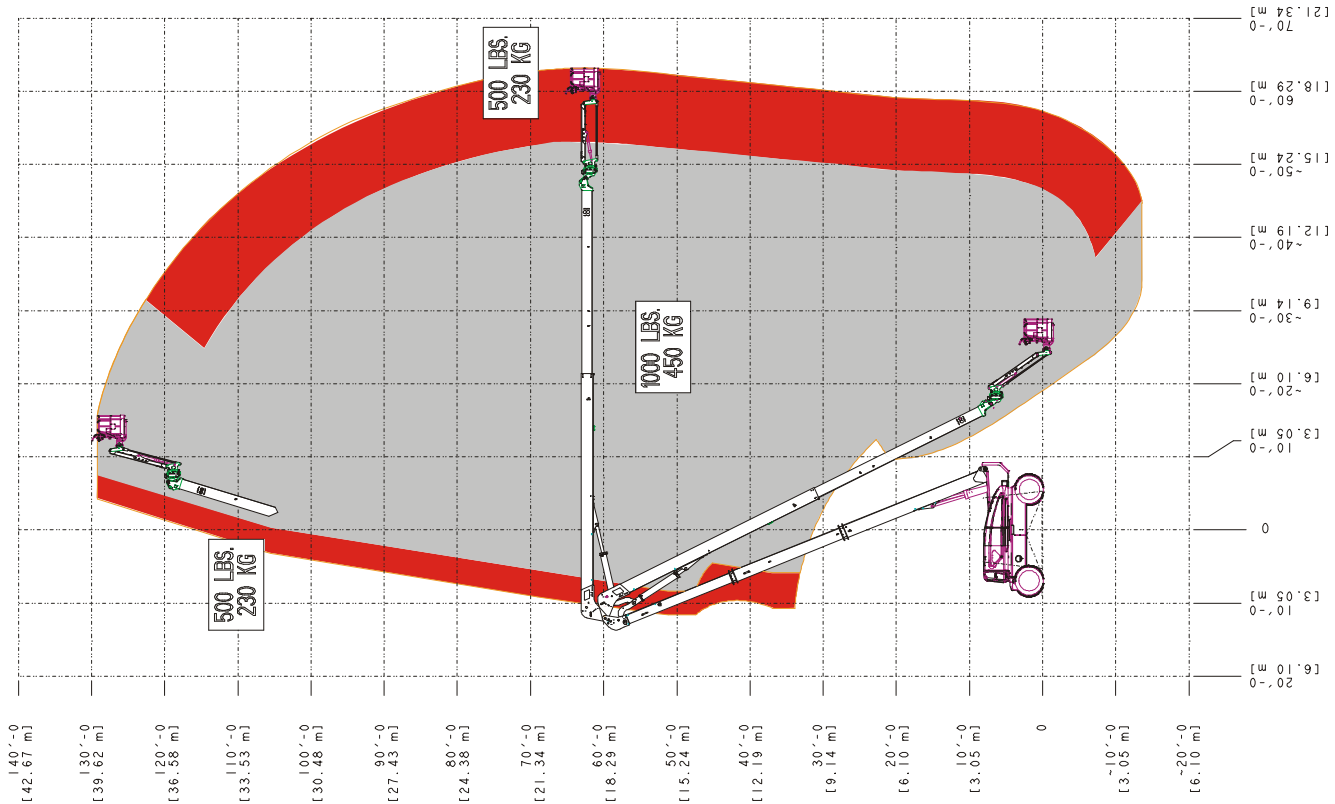


Figure 4-5. Range Diagram

## SECTION 4 - MACHINE OPERATION

---

### 4.6 ENGINE OPERATION

**NOTE:** When operating a machine at high altitudes, a decrease in machine performance may occur due to a decrease in air density.

**NOTE:** When operating a machine at high ambient temperatures, a decrease in machine performance and an increase in engine coolant temperature may occur.

**NOTE:** Contact JLG Customer Service for operation under abnormal conditions.

**NOTE:** Initial starting should always be performed from the Ground Control console.

### Starting Procedure

#### **NOTICE**

**IF ENGINE FAILS TO START PROMPTLY, DO NOT CRANK FOR AN EXTENDED TIME. SHOULD ENGINE FAIL TO START AGAIN, ALLOW STARTER TO "COOL OFF" FOR 2-3 MINUTES. IF ENGINE FAILS AFTER SEVERAL ATTEMPTS, REFER TO ENGINE MAINTENANCE MANUAL.**

**NOTE:** If the engine fails to start due to cold temperatures or excessive amounts of smoke are produced on startup, wait for the glow plug/wait to start indicator to go out before starting the engine.

1. Turn key of SELECT switch to GROUND. Position POWER/EMERGENCY STOP switch to ON, then push the ENGINE START switch until engine starts.

#### **NOTICE**

**ALLOW ENGINE TO WARM-UP FOR A FEW MINUTES AT LOW SPEED BEFORE APPLYING ANY LOAD.**

2. After engine has had sufficient time to warm up, shut engine off.
3. Turn SELECT switch to PLATFORM.
4. From Platform, pull POWER/EMERGENCY STOP switch out, then push the ENGINE START switch until engine starts.

**NOTE:** Footswitch must be in released (up) position before starter will operate. If starter operates with footswitch in the depressed position, DO NOT OPERATE MACHINE.

## Shutdown Procedure

### NOTICE

**IF AN ENGINE MALFUNCTION CAUSES AN UNSCHEDULED SHUTDOWN, DETERMINE THE CAUSE AND CORRECT IT BEFORE RESTARTING THE ENGINE.**

1. Remove all load and allow engine to operate at low speed for 3-5 minutes; this allows further reduction of internal engine temperature.
2. Push POWER/EMERGENCY STOP switch in.
3. Turn MASTER switch to Off.

Refer to Engine Manufacturer's manual for detailed information.

## Air Shutoff Valve (ASOV) (If Equipped)

Air Shutoff Valve (ASOV) is an overspeed protection device mounted to the engine's air intake system. When the valve is actuated, it obstructs airflow intake and stops the engine. Weekly tests are recommended to ensure the valve remains in good working condition.

1. Start the engine, running at idle.
2. Open the red switch guard on ASOV test switch, then activate toggle to test mode.

**NOTE:** *Test switch is located under hood to the left of the engine (look for test decal).*

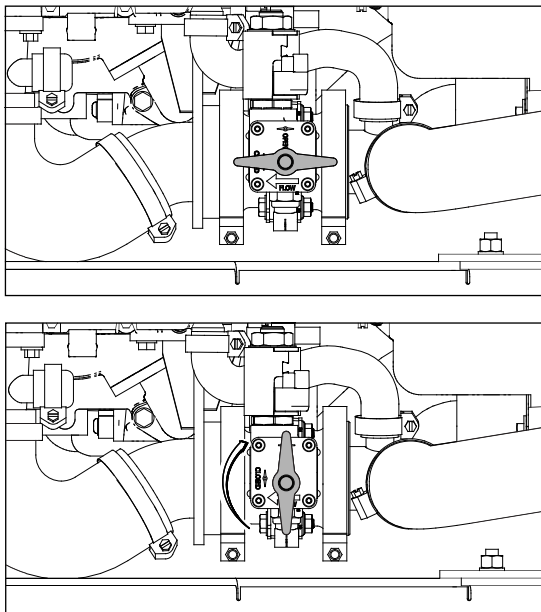
3. At the ground control panel, select any function and activate until valve actuates at test RPM of 1500. Once valve actuates, engine will stop.
4. Turn ignition to OFF.
5. Visually inspect valve to ensure it appears in good condition.
6. Reset valve by rotating valve handle to the Open position.

**NOTE:** *The handle cannot be turned unless the machine is off. Ensure the ignition is moved to the OFF position.*



### **⚠ WARNING**

**DO NOT USE ASOV AS AN ALTERNATIVE TO SHUTTING DOWN MACHINE PROPERLY.**



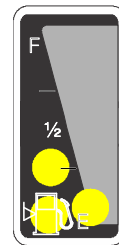
**Figure 4-6. ASOV Reset (Open to Closed Position)**

## Fuel Reserve / Shut-Off System

**NOTE:** Reference the Service and Maintenance Manual along with a qualified JLG Mechanic to verify your machine setup.

The Fuel Shutoff System monitors the fuel in the tank and senses when the fuel level is getting low. The JLG Control System automatically shuts the engine down before the fuel tank is emptied unless the machine is set up for Engine Restart.

If fuel level reaches the Low Fuel range the  $\frac{1}{4}$  tank indicator will flash once a second and there will be approximately 5 minutes of engine run time left. If the system is in this condition and automatically shuts down the engine, or the engine is manually shut down before the 5 minute run time is complete, the  $\frac{1}{4}$  tank indicator will flash 10 times a second and the engine will react according to machine setup. Setup options are as follows:



- Engine One Restart - When the engine shuts down, the operator will be permitted to cycle power and restart the engine once with approximately 2 minutes of run time. After the 2 minute run time is complete or if the engine is shut down by the operator prior to the completion of the 2 minute run time, it cannot be restarted until fuel is added to the tank.



- Engine Restart - When the engine shuts down, the operator will be permitted to cycle power and restart the engine for approximately 2 minutes of run time. After the 2 minutes of run time is complete, the operator may cycle power and restart the engine for an additional 2 minutes of run time. The operator can repeat this process until there is no more fuel available.

**NOTICE**

**CONTACT A QUALIFIED JLG MECHANIC IF THE MACHINE NEEDS RESTARTED AFTER NO MORE FUEL IS AVAILABLE.**

- Engine Stop - The engine will shut down. No restarts will be permitted until fuel is added to the tank.
-

## SECTION 4 - MACHINE OPERATION

### 4.7 TRAVELING (DRIVING)

See Figure 4-7., Grade and Side Slopes

**NOTE:** Refer to the Operating Specifications table for Gradeability and Sideslope ratings.

All ratings for Gradeability and Sideslope are based upon the machine's boom being in the stowed position, fully lowered, and retracted.

#### **⚠ WARNING**

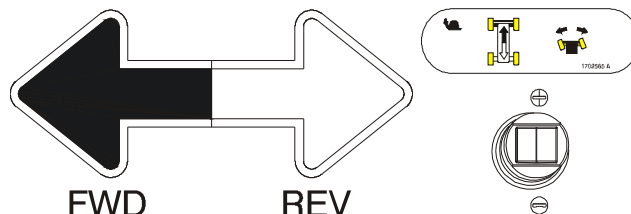
**DO NOT DRIVE WITH BOOM OUT OF TRANSPORT MODE EXCEPT ON A SMOOTH, FIRM AND LEVEL SURFACE.**

**TO AVOID LOSS OF TRAVEL CONTROL OR "TIP OVER", DO NOT DRIVE MACHINE ON GRADES EXCEEDING THOSE SPECIFIED ON THE SERIAL NUMBER PLATE.**

**DO NOT DRIVE ON SIDESLOPES WHICH EXCEED 5 DEGREES.**

**USE EXTREME CAUTION WHEN DRIVING IN REVERSE AND AT ALL TIMES WHEN THE PLATFORM IS ELEVATED.**

**BEFORE DRIVING, LOCATE THE BLACK/WHITE ORIENTATION ARROWS ON BOTH THE CHASSIS AND THE PLATFORM CONTROLS. MOVE THE DRIVE CONTROLS IN A DIRECTION MATCHING THE DIRECTIONAL ARROWS.**



Traveling is limited by two factors:

1. Gradeability, which is the percent of grade of the incline the machine can climb.
2. Sideslope, which is the angle of the slope the machine can be driven across.

When the boom is raised or extended, the machine must not be operated on grades or sideslopes that are greater than that detected by the tilt alarm. The tilt alarm will sound to alert the operator when the machine is on an unsafe slope. The machines high drive function will also be cut back to low drive.

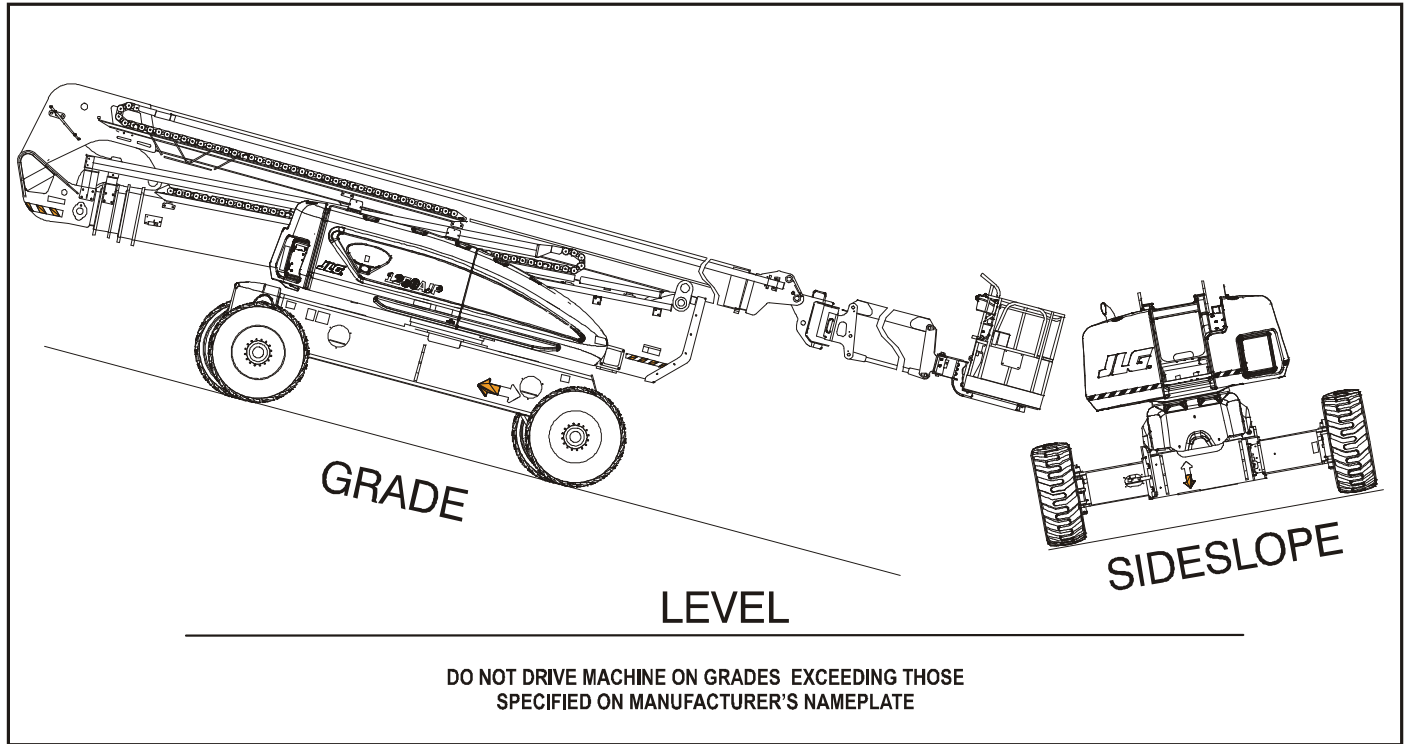


Figure 4-7. Grade and Side Slopes

### Traveling Forward and Reverse

1. At Platform Controls, pull out Emergency Stop switch, start engine, and activate footswitch.
2. Position Drive controller to FORWARD or REVERSE as desired.

This machine is equipped with a Drive Orientation Indicator. The yellow light on the platform control console indicates that the boom is swung beyond the rear drive tires and the machine may Drive/Steer in the opposite direction from the movement of the controls. If the indicator is illuminated, operate the Drive function in the following manner:

1. Match the black and white direction arrows on both platform control panel and the chassis to determine the direction the machine will travel.
2. Push and release the Drive Orientation Override switch. Within 3 seconds, slowly move the Drive control toward the arrow matching the intended direction of machine travel. The indicator light will flash during the 3 second interval until the drive function is selected.

### Traveling on a Grade

When traveling a grade, maximum braking and traction are obtained with the boom stowed, in position over the rear axle, and in line with the direction of travel. Drive the machine forward when climbing a grade, and in reverse when descending a grade. Do not exceed the machine's maximum rated gradability.

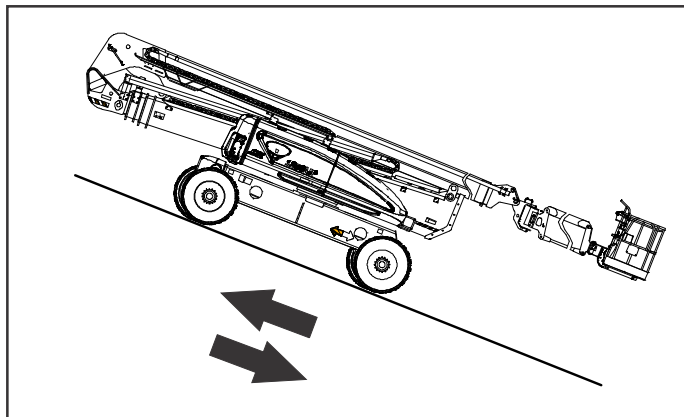


Figure 4-8. Traveling on a Grade

#### **NOTICE**

IF THE BOOM IS OVER THE FRONT (STEER) AXLE, DIRECTION OF STEER AND DRIVE MOVEMENT WILL BE OPPOSITE FROM THE MOVEMENT OF THE CONTROLS.

## **4.8 STEERING**

Position thumb switch on Drive/Steer controller to RIGHT for steering right, or to LEFT for steering left.

## **4.9 EXTENDING THE AXLES**

**NOTE:** *The operator must be driving the machine (forward or reverse) in order to extend the axles.*

Position the Axle Extend switch to extend the axles or to retract to retract the axles.

## **4.10 PLATFORM**

### **Platform Level Adjustment**



**ONLY USE THE PLATFORM LEVELING OVERRIDE FUNCTION FOR SLIGHT LEVELING OF THE PLATFORM. INCORRECT USE COULD CAUSE THE LOAD/OCCUPANTS TO SHIFT OR FALL. FAILURE TO DO SO COULD RESULT IN DEATH OR SERIOUS INJURY.**

**NOTE:** *Platform Leveling is active during all functions except during main boom telescope operations.*

During normal operation of the machine, the platform will automatically maintain its position. To manually Level Up or Down -

Position the Platform/Level control switch Up or Down and hold until the desired platform position is obtained.

### **Platform Rotation**

To rotate the platform to the left or right, use the Platform Rotate control switch to select the direction and hold until desired position is reached.

## **4.11 BOOM**



**DO NOT SWING OR RAISE BOOM OUT OF TRANSPORT MODE WHEN MACHINE IS OUT OF LEVEL.**

**DO NOT DEPEND ON TILT ALARM AS A LEVEL INDICATOR FOR THE CHASSIS.**

**TO AVOID TIP OVER, LOWER PLATFORM TO GROUND LEVEL. THEN DRIVE MACHINE TO A LEVEL SURFACE BEFORE RAISING BOOM.**

**TO AVOID SERIOUS INJURY, DO NOT OPERATE MACHINE IF ANY CONTROL LEVER OR TOGGLE SWITCH CONTROLLING PLATFORM MOVEMENT DOES NOT RETURN TO THE 'OFF' OR NEUTRAL POSITION WHEN RELEASED.**

**IF THE PLATFORM DOES NOT STOP WHEN A CONTROL SWITCH OR LEVER IS RELEASED, REMOVE FOOT FROM FOOTSWITCH OR USE EMERGENCY STOP SWITCH TO STOP THE MACHINE.**

### Swinging the Boom

To swing boom, use Swing control to select Right or Left direction.

#### **NOTICE**

**WHEN SWINGING THE BOOM MAKE SURE THERE IS AMPLE ROOM FOR THE BOOM TO CLEAR SURROUNDING WALLS, PARTITIONS AND EQUIPMENT.**

### Raising and Lowering the Main Boom

**NOTE:** *The main lift function is not operable with the boom out of the transport mode if the axles are not fully extended.*

To raise or lower the Main Boom, use Boom Lift control to select Up or Down movement.

### Telescoping the Main Boom

**NOTE:** *The telescope function is not operable beyond the transport position if the axles are not fully extended.*

To extend or retract the main boom, use the Telescope Control Switch to select In or Out movement.

### Tower Lift

**NOTE:** *The control system automatically uses a combination of tower telescope and tower lift for the tower boom to follow a pre-described path.*

To raise or lower the tower boom, use the Tower Boom Lift control to select Up or Down movement.

## **Swinging the Jib**

**NOTE:** For 1000 lb. (454 kg for ANSI markets and 450 kg for CE and Australia markets) mode operation, the jib must be centered and the Jib Swing function is not operable. If the jib is out of the centered position when in this mode, the jib swing function will allow the operator to center the jib again.

To swing the jib, use the Jib Swing control to select Right or Left direction.

## **4.12 FUNCTION SPEED CONTROL**

This control affects the speed of all boom functions and Platform Rotate. When in the CCW maximum position, Drive is placed in creep speed.

## **4.13 MACHINE SAFETY SYSTEM OVERRIDE (MSSO)(CE ONLY)**

The Machine Safety System Override (MSSO) is used to override function controls for Emergency Platform Retrieval only. Refer to Section 5.5, Machine Safety System Override (MSSO)(CE Only) for operating procedures.



### 4.14 SKYGUARD OPERATION

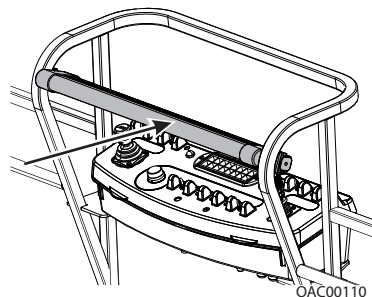
SkyGuard provides enhanced control panel protection. When the SkyGuard sensor is activated, functions in use at the time of activation will reverse or cutout. The SkyGuard Function Table provides more details on these functions.

During activation, the horn will sound and, if equipped with a SkyGuard beacon, the beacon will illuminate until sensor and footswitch are disengaged.

If the SkyGuard sensor remains activated after function reversal or cutout, depress and hold the SkyGuard Override Switch to allow normal functions until the sensor is disengaged.

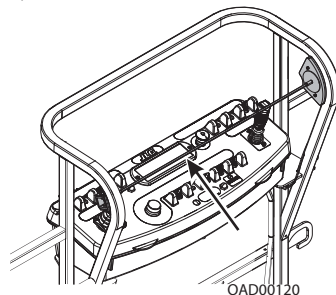
Consult the following illustrations to determine which type of SkyGuard the machine has. Regardless of type, SkyGuard function according to the SkyGuard Function Table does not change.

#### SkyGuard



Approximately 50 lb (222 Nm) of force is applied to yellow bar.

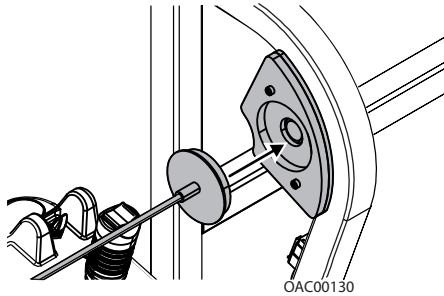
#### SkyGuard - SkyLine



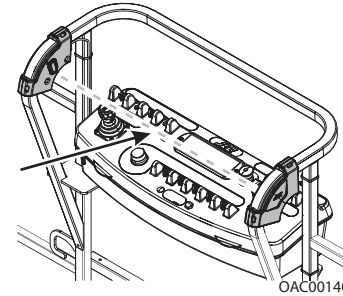
Cable is pressed, breaking the magnetic connection between the cable and right bracket.



SkyGuard - SkyEye



Reattach magnetic end of cable to bracket if it becomes disconnected.



Operator passes through path of sensor beam.

SkyGuard Function Table

Drive Forward	Drive Reverse	Steer	Swing	Tower Lift Up	Tower Tele Out	Tower Lift Down	Tower Tele In	Boom Lift Up	Boom Lift Down	Boom Tele Out	Boom Tele In	Jib Lift	Jib Swing	Basket Level	Basket Rotate
R*/C**	R	C	R	C	C	C	C	R	R	R	C	C	C	C	C
R= Indicates Reversal is Activated															
C= Indicates Cutout is Activated															
*DOS (Drive Orientation System) Enabled															
** DOS Not Enabled, machine is driving straight without steering, and any other hydraulic function is active															
<b>Note:</b> If SkyGuard is enabled with the Soft Touch system, functions will cut out instead of reversing.															

## 4.15 EMERGENCY TOWING

### **⚠ WARNING**

**RUNAWAY VEHICLE/MACHINE HAZARD. MACHINE HAS NO TOWING BRAKES. TOWING VEHICLE MUST BE ABLE TO CONTROL MACHINE AT ALL TIMES. ON-HIGHWAY TOWING NOT PERMITTED. FAILURE TO FOLLOW INSTRUCTIONS COULD CAUSE SERIOUS INJURY OR DEATH.**

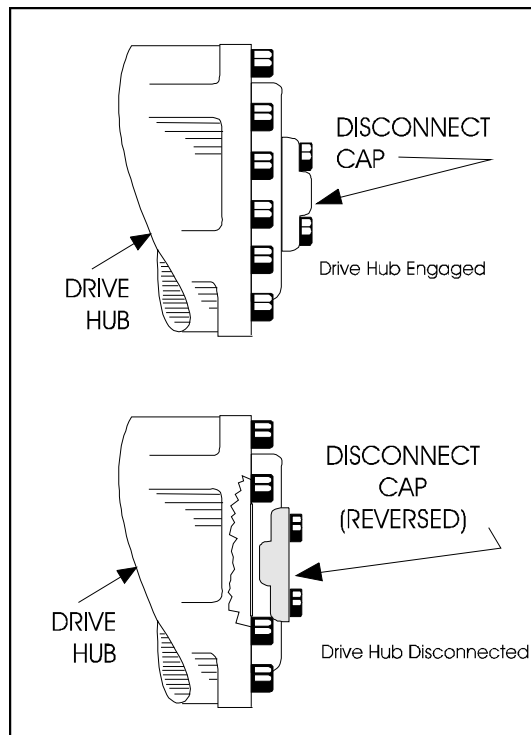
**MAXIMUM TOWING SPEED 5 M.P.H. (8 K.M.H.)**

**MAXIMUM TOWING GRADE 25%.**

### **NOTICE**

**DO NOT TOW MACHINE WITH ENGINE OPERATING OR DRIVE HUBS ENGAGED.**

1. Retract, lower and position boom in travel position; lock turntable.
2. Disconnect drive hubs by inverting disconnect cap.



**Figure 4-9. Drive Disconnect Hub**

3. Reconnect the drive hubs by inverting the disconnect cap when towing is complete.

## **4.16 SHUT DOWN AND PARK**

To shut down and park the machine, the procedures are as follows:

1. Drive machine to a reasonably well protected area.
2. Ensure boom is lowered over rear drive axle.
3. Push in the Emergency Stop at Platform Controls.
4. Push in the Emergency Stop at Ground Controls. Position Platform/Ground Select switch to center OFF.
5. If necessary, cover Platform Controls to protect instruction placards, warning decals and operating controls from hostile environment.

## **4.17 LIFTING AND TIE DOWN**

(See Figure 4-10.)

### **Lifting**

1. The weight of the machine is stamped on the serial number plate. If the plate is missing or illegible, call JLG Industries or weigh the individual unit to find out the Gross Vehicle Weight.
2. Place the boom in the stowed position with the turntable locked.
3. Remove all loose items from the machine.
4. Attach lifting device and equipment only to the designated lifting points.
5. Properly adjust the rigging to prevent damage to the machine and so the machine remains level.

### Tie Down

#### **NOTICE**

**WHEN TRANSPORTING THE MACHINE, THE BOOM MUST BE FULLY LOWERED INTO THE BOOM REST.**

1. Place the boom in the stowed position with the turntable locked.
2. Remove all loose items from the machine.
3. Secure the chassis and the platform using straps or chains of adequate strength and attached to the designated tie down points.

### 4.18 STOWING THE JIB FOR TRANSPORT

1. Place the boom in the stowed position with the axles retracted.
2. Hold the Jib Swing control switch to the right until the platform will no longer swing.

**NOTE:** *The Jib Swing function is not operable when the Capacity Select control is in the 1000 lb. (454 kg for ANSI markets and 450 kg for CE and Australia markets) position.*

**NOTE:** *Automatic platform leveling is disabled when stowing the jib.*

3. Push and hold the Jib Stow Override control switch until the jib and platform are in the stowed position under the boom.

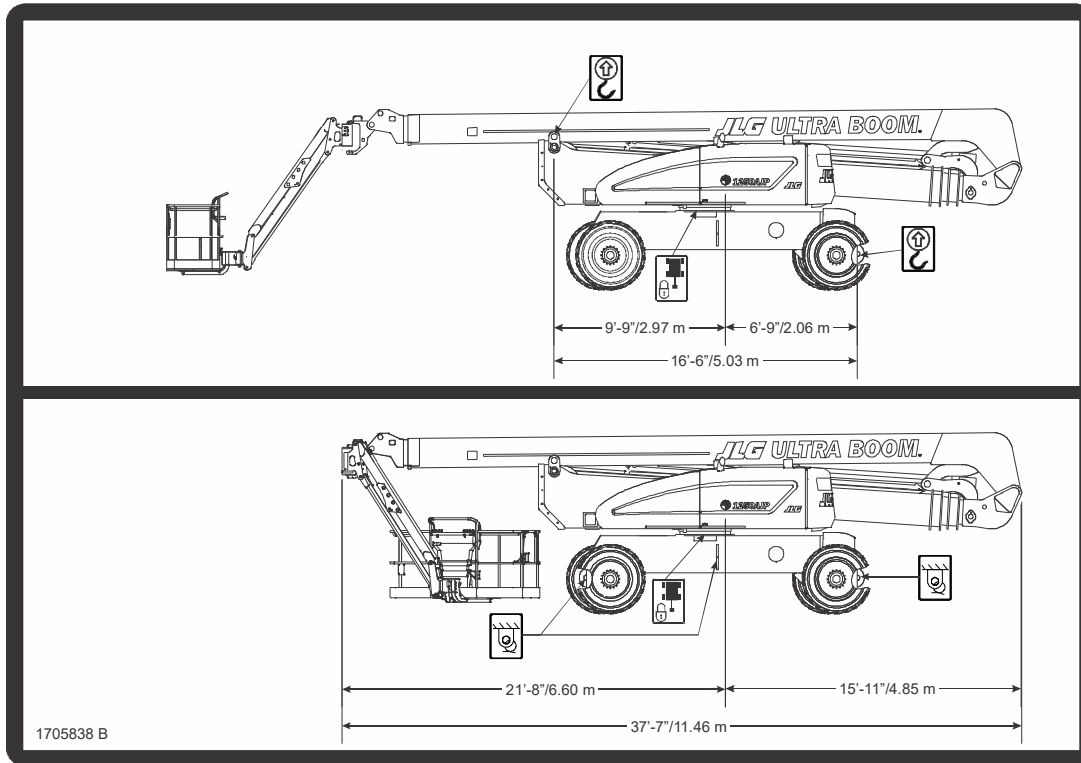


Figure 4-10. Lifting and Tie Down Chart

## SECTION 4 - MACHINE OPERATION

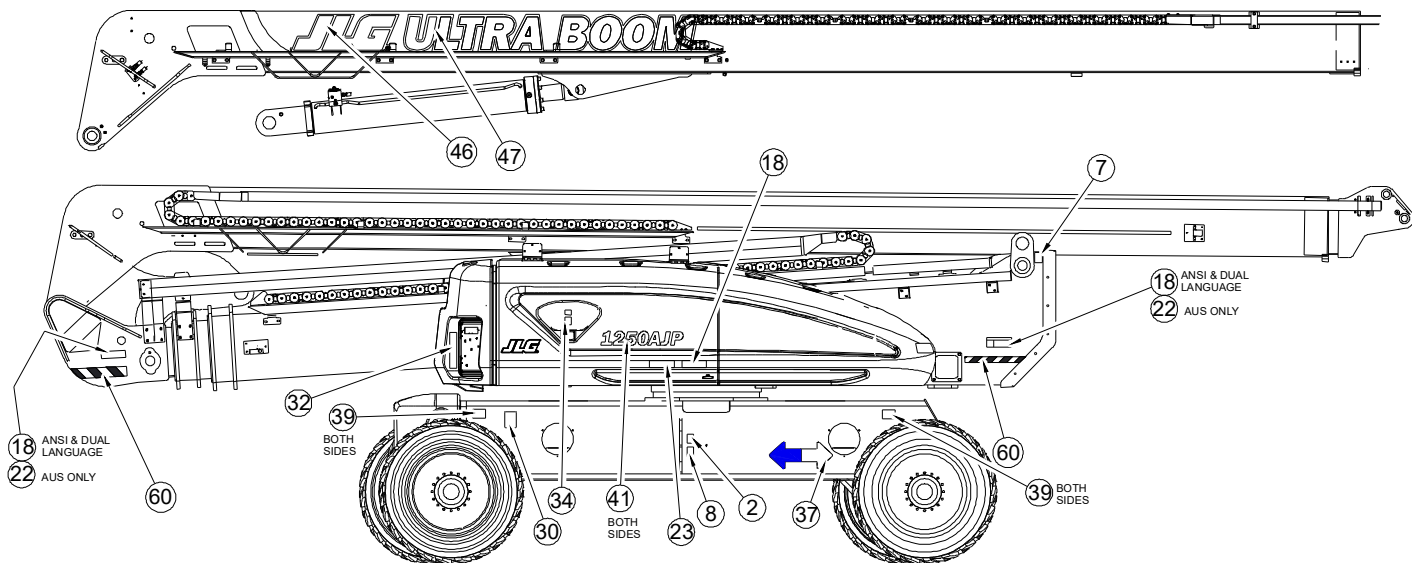


Figure 4-11. Decal Location Sheet 1 of 5

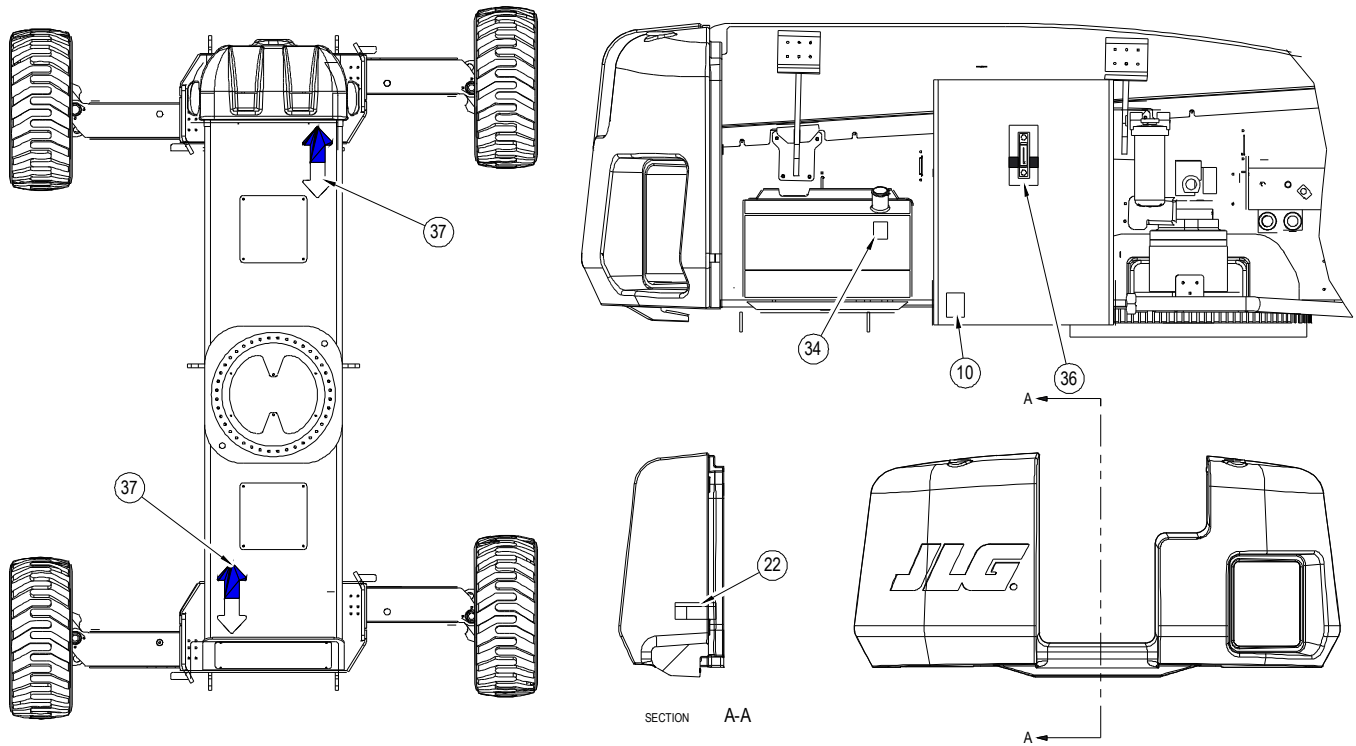


Figure 4-12. Decal Location Sheet 2 of 5

## SECTION 4 - MACHINE OPERATION

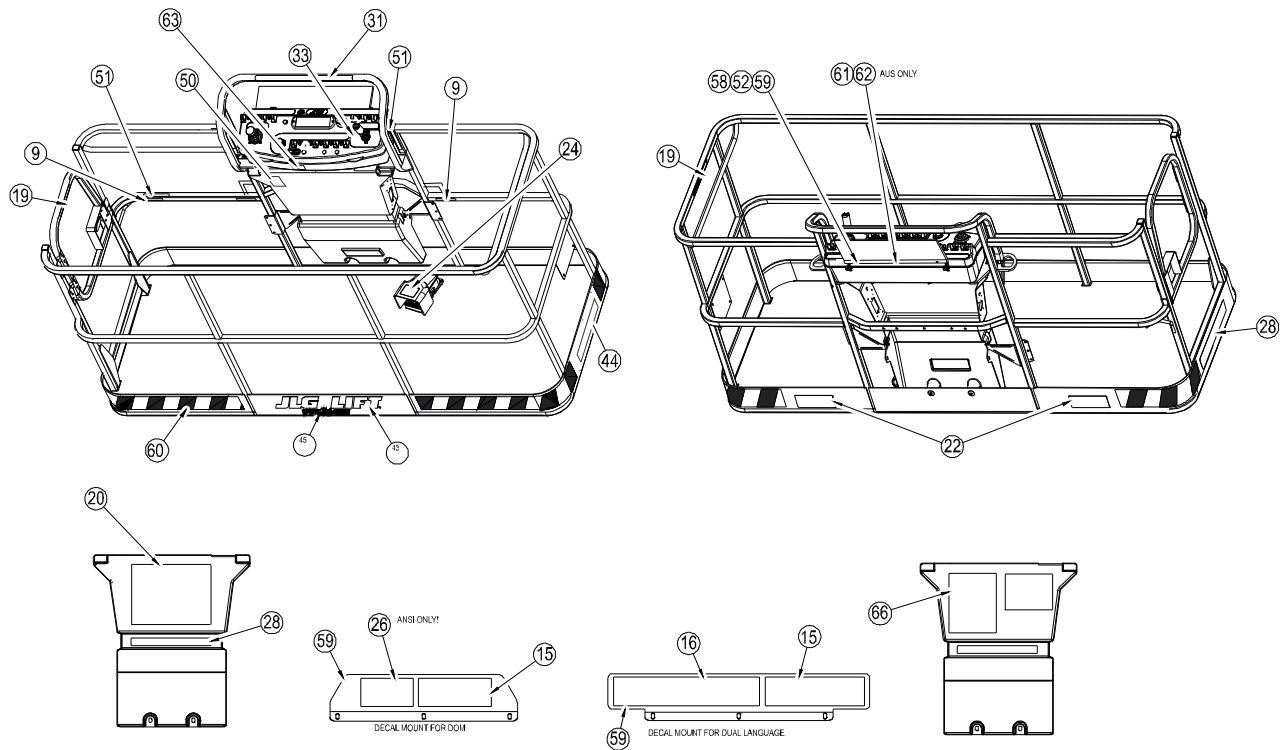


Figure 4-13. Decal Location Sheet 3 of 5



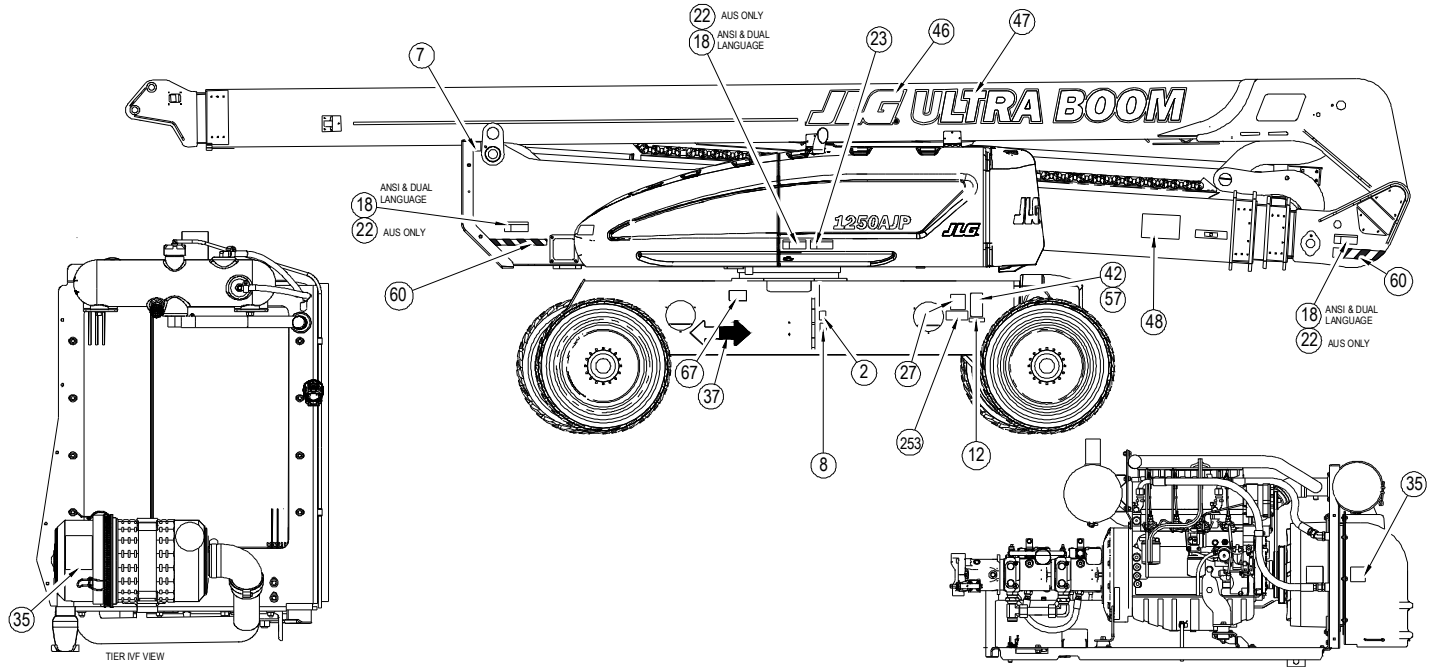


Figure 4-14. Decal Location Sheet 4 of 5

## SECTION 4 - MACHINE OPERATION

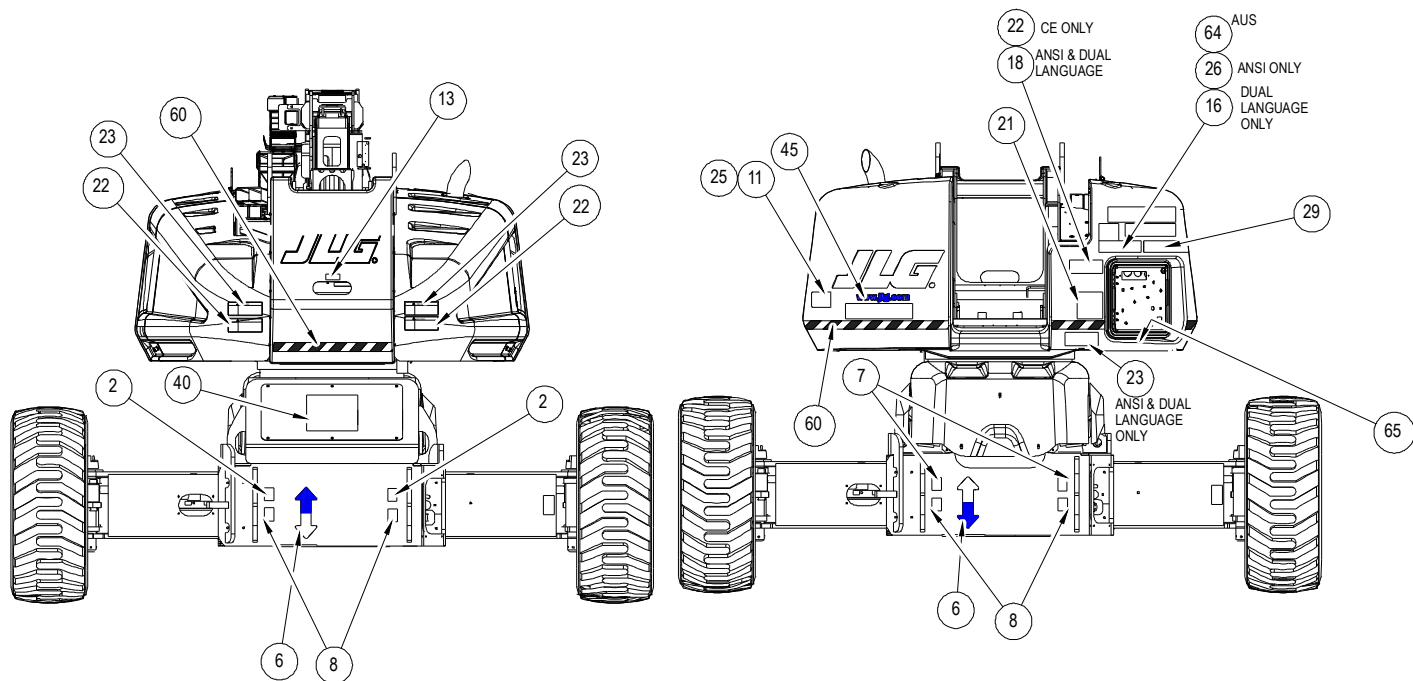


Figure 4-15. Decal Location Sheet 5 of 5

**Table 4-1. Decal Legend - Prior to S/N 0300141446**

<b>Item #</b>	<b>ANSI 0274722-7</b>	<b>Korean 0274723-7</b>	<b>Chinese 0274724-7</b>	<b>Portuguese 0274725-7</b>	<b>English/ Spanish 0274726-8</b>	<b>French/English 0274727-7</b>	<b>CE/Australian 0274728-8</b>	<b>Japan 0274729-7</b>
1	--	--	--	--	--	--	--	--
2	1701499	1701499	1701499	1701499	1701499	1701499	1701499	1701499
3	--	--	--	--	--	--	--	--
4	--	--	--	--	--	--	--	--
5	1701509	1701509	1701509	1701509	1701509	1701509	1701509	1701509
6	1701529	1701529	1701529	1701529	1701529	1701529	1701529	1701529
7	1703811	1703811	1703811	1703811	1703811	1703811	1703811	1703811
8	1703814	1703814	1703814	1703814	1703814	1703814	1703814	1703814
9	1704277	1704277	1704277	1704277	1704277	1704277	1704277	1704277
10	1704412	1704412	1704412	1704412	1704412	1704412	1704412	1704412
11	--	--	--	--	--	--	1705515	--
12	--	--	--	--	--	1705514	--	--
13	3251243	3251243	3251243	3251243	3251243	3251243	--	3251243
14	--	--	--	--	--	--	--	--
15	1705337	1705337	1705342	1705904	1705337	1705341	--	1705338
16	--	--	1705507	1705906	1705916	1705505	--	1705493

## SECTION 4 - MACHINE OPERATION

Table 4-1. Decal Legend - Prior to S/N 0300141446

Item #	ANSI 0274722-7	Korean 0274723-7	Chinese 0274724-7	Portuguese 0274725-7	English/ Spanish 0274726-8	French/English 0274727-7	CE/Australian 0274728-8	Japan 0274729-7
17	--	1702153	--	1705901	1704007	1704006	--	--
18	1703953	1703953	1703943	1705903	1703941	1703942	--	1703944
19	1702868	1702868	1705968	1705967	1704001	1704000	--	--
20	1703797	1703797	1703925	1705895	1703923	1703924	1705921	1703926
21	1705336	1705336	1705348	1705896	1705917	1705347	1705822	1705344
22	1703804	1703804	1703949	1705898	1703947	1703948	1701518	1703950
23	1703805	1703805	1703937	1705897	1703935	1703936	1705961	1703938
24	3252347	--	1703982	1705902	1703983	1703984	1705828	1703980
25	3251813	3251813	3251813	3251813	3251813	3251813	--	3251813
26	1705492	1705492	1705508	1705907	1705915	1705506	--	1705494
27	1702631	1702631	1702631	1702631	1702631	1702631	1702631	1702631
28	1705168	1705168	1705334	1705899	1705908	1705333	1706770	1705330
29	1705181	1705181	1705478	1705900	1705919	1705477	1705468	1705480
30	1700584	1700584	1700584	1700584	1700584	1700584	1700584	1700584
31	1706751	1706751	1706751	1706751	1706751	1706751	--	1706751
32	1705868	1705868	1705868	1705868	1705868	1705868	--	1705868
33	1705351	1705351	1705430	1705905	1705910	1705429	--	1705426
34	1701505	1701505	1701505	1701505	1701505	1701505	1701505	1701505

**Table 4-1. Decal Legend - Prior to S/N 0300141446**

<b>Item #</b>	<b>ANSI 0274722-7</b>	<b>Korean 0274723-7</b>	<b>Chinese 0274724-7</b>	<b>Portuguese 0274725-7</b>	<b>English/ Spanish 0274726-8</b>	<b>French/English 0274727-7</b>	<b>CE/Australian 0274728-8</b>	<b>Japan 0274729-7</b>
35	1704972	1704972	1706060	1706059	1706063	1706064	1706098	1704972
36	1705511	1705511	1705511	1705511	1705511	1705511	1705511	1705511
37	1701501	1701501	1701501	1701501	1701501	1701501	1701501	1701501
38	--	--	--	--	--	--	--	--
39	--	--	--	--	--	--	--	--
40	--	--	--	--	--	--	--	--

## SECTION 4 - MACHINE OPERATION

**Table 4-2. Decal Legend - S/N 0300141446 to 0300272496**

Item #	ANSI 0274722-F	Korean 0274723-E	Chinese 0274724-E	Portuguese 0274725-E	English/ Spanish 0274726-E	French/English 0274727-E	Australian 1001114383-E	Japan 0274729-E
1	--	--	--	--	--	--	--	--
2	1701499	1701499	1701499	1701499	1701499	1701499	1701499	1701499
3	--	--	--	--	--	--	--	--
4	--	--	--	--	--	--	--	--
5	1701509	1701509	1701509	1701509	1701509	1701509	1701509	1701509
6	1701529	1701529	1701529	1701529	1701529	1701529	1701529	1701529
7	1703811	1703811	1703811	1703811	1703811	1703811	1703811	1703811
8	1703814	1703814	1703814	1703814	1703814	1703814	1703814	1703814
9	1704277	1704277	1704277	1704277	1704277	1704277	1704277	1704277
10	1704412	1704412	1704412	1704412	1704412	1704412	1704412	1704412
11	--	--	--	--	--	--	--	--
12	1705514	--	--	--	--	1705514	--	--
13	3251243	3251243	3251243	3251243	3251243	3251243	--	3251243
14	--	--	--	--	--	--	--	--
15	1705337	1705337	1705342	1705904	1705337	1705341	--	1705338
16	--	--	1001117035	1705906	1705916	1705505	--	1705493

Table 4-2. Decal Legend - S/N 0300141446 to 0300272496

Item #	ANSI 0274722-F	Korean 0274723-E	Chinese 0274724-E	Portuguese 0274725-E	English/ Spanish 0274726-E	French/English 0274727-E	Australian 1001114383-E	Japan 0274729-E
17	--	1702153	--	--	--	--	--	--
18	1703953	1703953	1703943	1705903	1703941	1703942	--	1703944
19	1702868	1702868	1001116846	1705967	1704001	1704000	--	--
20	1703797	1703797	1703925	1705895	1703923	1703924	1705921	1703926
21	1705336	1705336	1001116849	1705896	1705917	1705347	1705822	1705344
22	1703804	17033951	1703949	1705898	1703947	1703948	1701518	1703950
23	1703805	1703805	1001116851	1705897	1703935	1703936	1705961	1703938
24	3252347	--	1703982	1705902	1703983	1703984	1705828	1703980
25	--	--	--	--	--	--	--	--
26	1001231315	1001231315	1001231315	1001231315	1001231315	1001231315	--	1001231315
27	1702631	1702631	1702631	1702631	1702631	1702631	1702631	1702631
28	1001122369	1001122370	1001122371	1001122372	1001122373	1001122374	1706770	1001122375
29	1001122376	1001122377	1001122378	1001122379	1001122380	1001122381	1705468	1001122382
30	1001131269	--	--	--	--	1700584	--	--
31	1706751	1706751	1706751	1706751	1706751	1706751	--	1706751
32	1705868	1705868	1705868	1705868	1705868	1705868	--	1705868
33	1705351	1705351	1705430	1705905	1705910	1705429	--	1705426
34	1701505	1701505	1701505	1701505	1701505	1701505	1701505	1701505

## SECTION 4 - MACHINE OPERATION

Table 4-2. Decal Legend - S/N 0300141446 to 0300272496

Item #	ANSI 0274722-F	Korean 0274723-E	Chinese 0274724-E	Portuguese 0274725-E	English/ Spanish 0274726-E	French/English 0274727-E	Australian 100114383-E	Japan 0274729-E
35	1704972	1704972	1706060	1706059	1706063	1706064	1706098	1706062
36	1705511	1705511	1705511	1705511	1705511	1705511	1705511	1705511
37	1701501	1701501	1701501	1701501	1701501	1701501	1701501	1701501
38	--	--	--	--	--	--	--	--
39	--	--	--	--	--	--	--	--
40	--	--	--	--	--	--	--	--
41	--	--	--	--	--	--	--	--
42	--	--	--	--	--	--	--	--
43	--	--	--	--	--	--	--	--
44	1001243426	1001243426	1001243426	1001243426	--	--	--	--
45	--	--	--	--	--	--	--	--
46	--	--	--	--	--	--	--	--
47	--	--	--	--	--	--	--	--
48	--	--	--	--	--	--	--	--
49	--	--	--	--	--	--	--	--
50	1001231801	--	--	--	--	--	--	--
51	--	--	--	--	--	--	--	--
52	--	--	--	--	--	--	--	--



**Table 4-2. Decal Legend - S/N 0300141446 to 0300272496**

<b>Item #</b>	<b>ANSI 0274722-F</b>	<b>Korean 0274723-E</b>	<b>Chinese 0274724-E</b>	<b>Portuguese 0274725-E</b>	<b>English/ Spanish 0274726-E</b>	<b>French/English 0274727-E</b>	<b>Australian 1001114383-E</b>	<b>Japan 0274729-E</b>
53	--	--	--	--	--	--	--	--
54	--	--	--	--	--	--	--	--
55	--	--	--	--	--	--	--	--
56	--	--	--	--	--	--	--	--
57	--	--	--	--	--	--	--	--
58	--	--	--	--	--	--	--	--
59	--	--	--	--	--	--	--	--
60	--	--	--	--	--	--	--	--
61	--	--	--	--	--	--	--	--
62	--	--	--	--	--	--	--	--
63	--	--	--	--	--	--	--	--
64	--	--	--	--	--	--	1001112551	--
65	--	--	--	--	--	--	--	--
66	--	--	--	--	--	--	--	--
67	1001223055	1001224048	1001224050	--	1001224049	1001223971	--	1001224053
68	--	--	--	--	--	1001223453	--	--

## SECTION 4 - MACHINE OPERATION

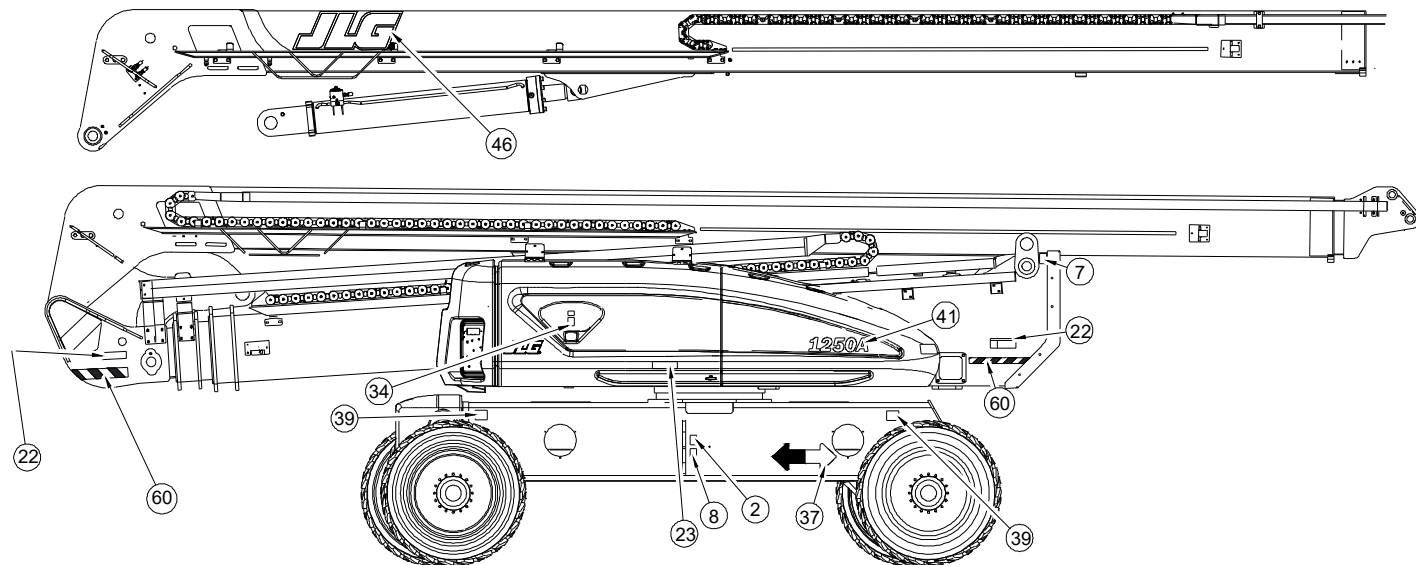


Figure 4-16. Decal Location - S/N 0300141446 to 0300272496 - CE Only - Sheet 1 of

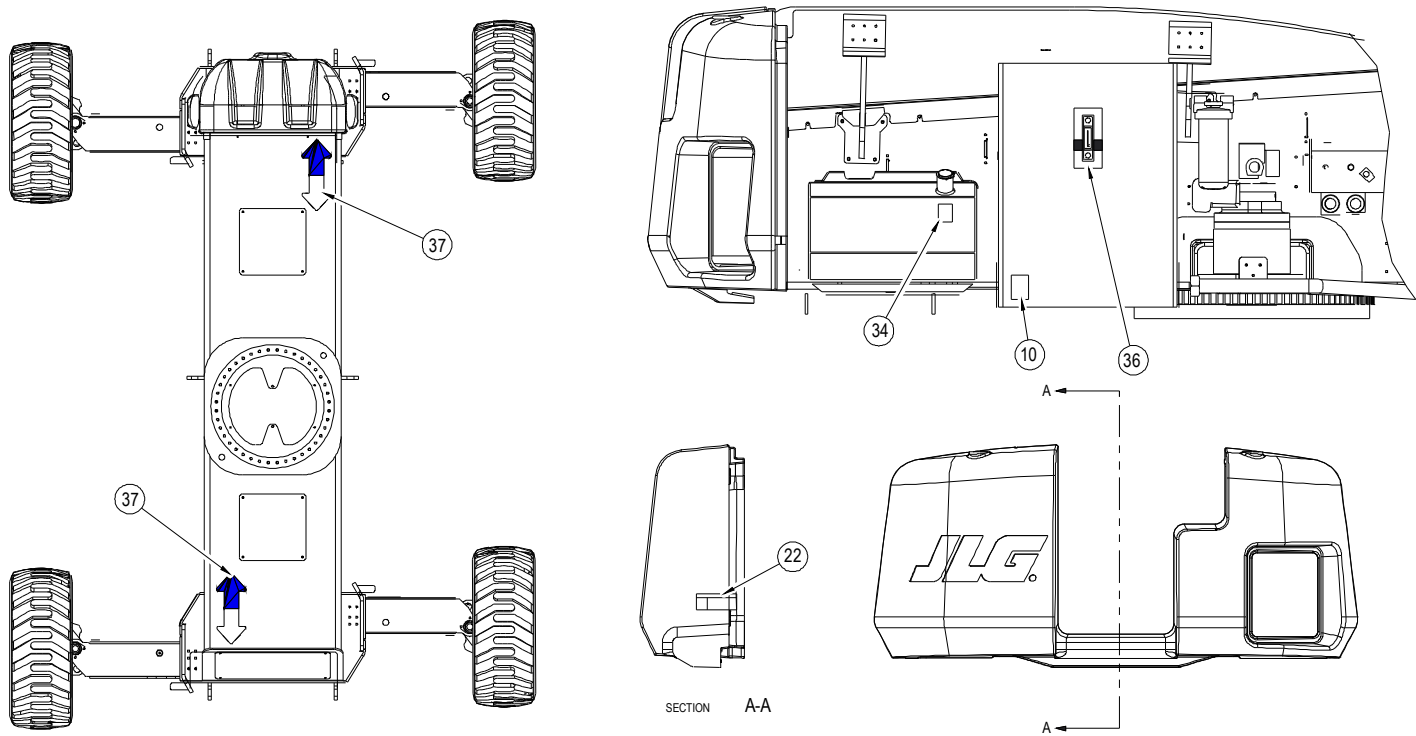


Figure 4-17. Decal Location - S/N 0300141446 to 0300272496 - CE Only - Sheet 2 of

## SECTION 4 - MACHINE OPERATION

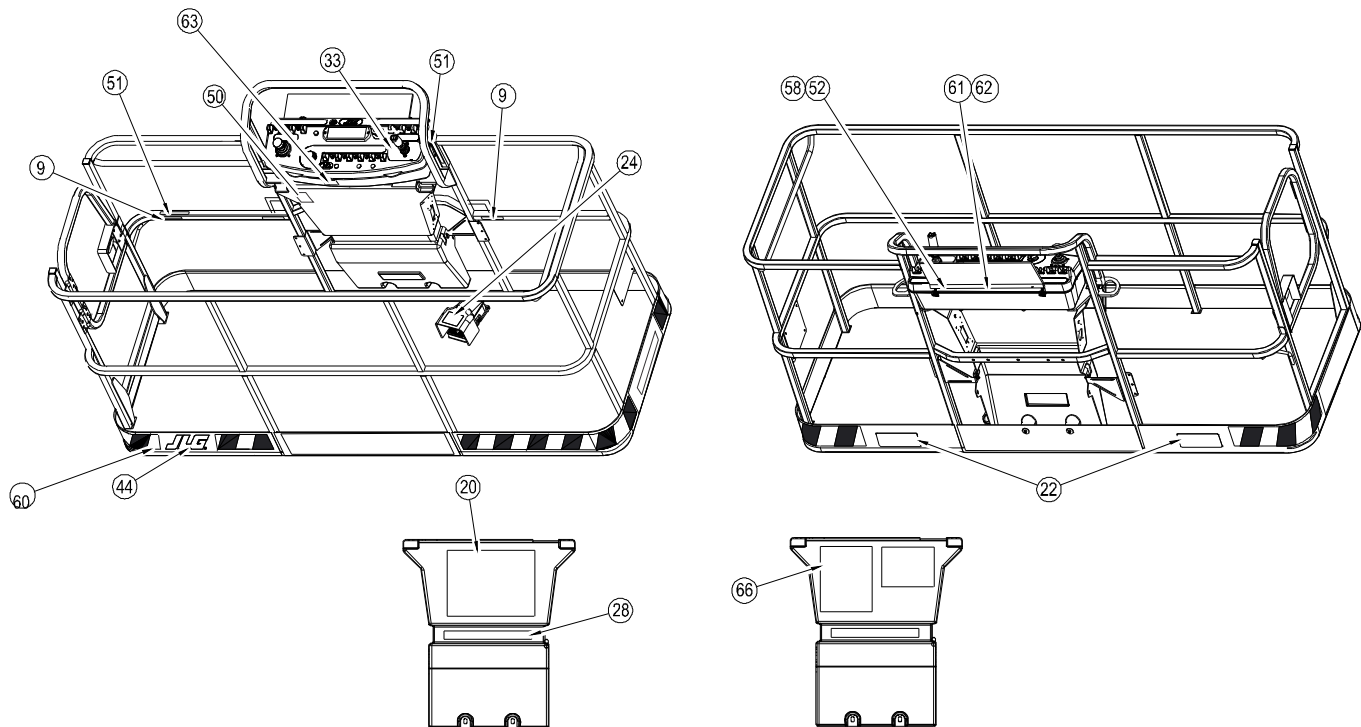
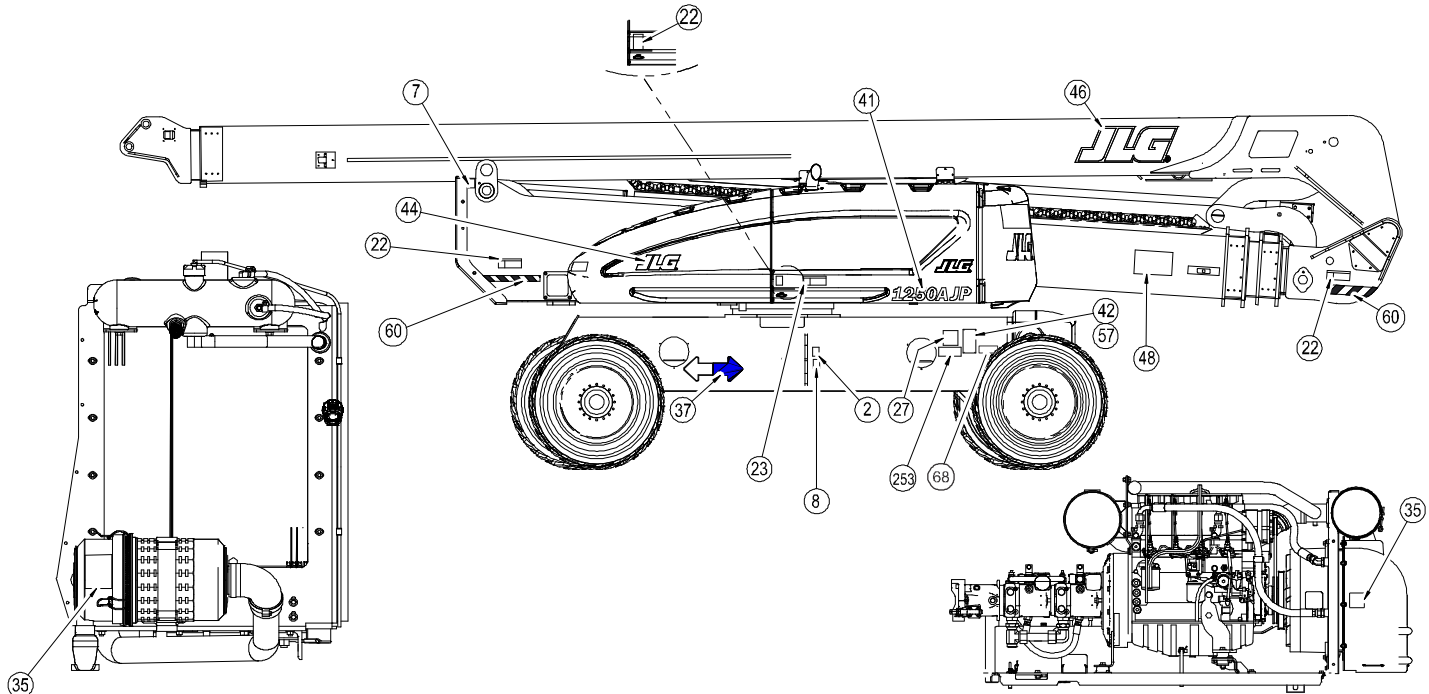


Figure 4-18. Decal Location - S/N 0300141446 to 0300272496 - CE Only - Sheet 3 of 5



## SECTION 4 - MACHINE OPERATION

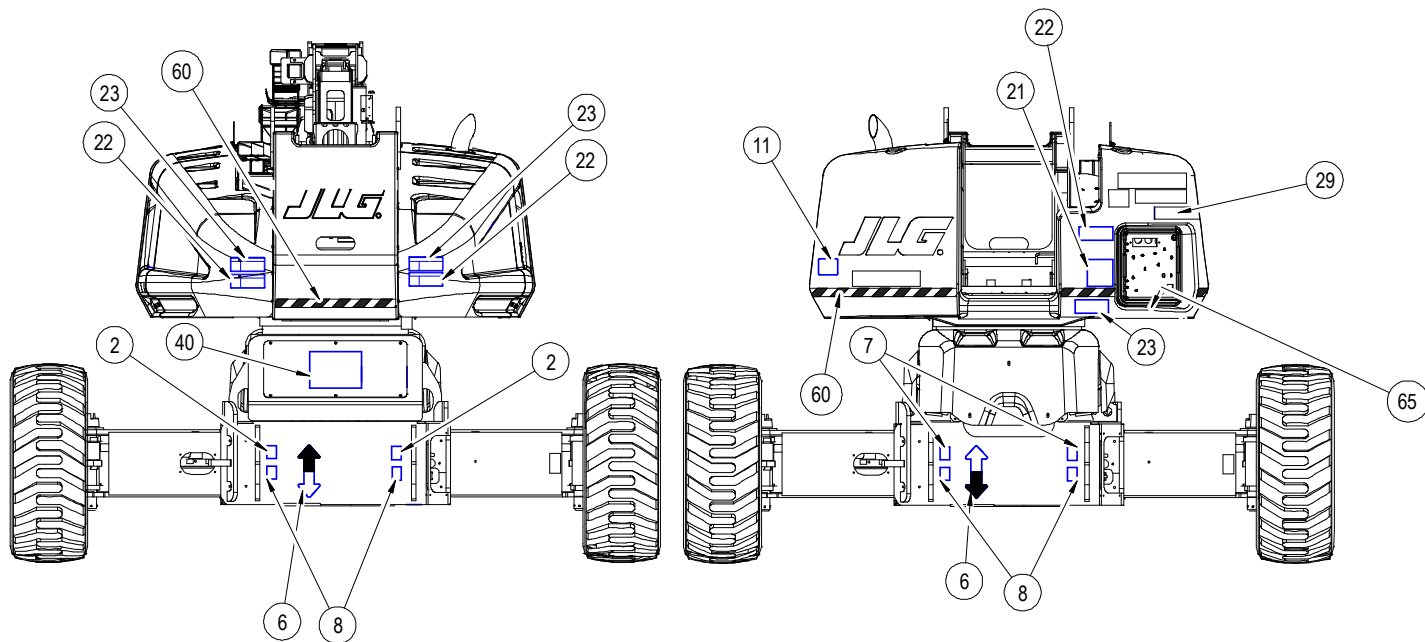


Figure 4-20. Decal Location - S/N 0300141446 to 0300272496 - CE Only - Sheet 5

**Table 4-3. Decal Legend - S/N 0300141446 to 0300272496- CE Only**

**Table 4-3. Decal Legend - S/N 0300141446 to 0300272496- CE Only**

Item #	CE 0274728-G
1	--
2	1701499
3	--
4	--
5	1701509
6	1701529
7	1703811
8	1703814
9	1704277
10	1704412
11	--
12	--
13	--
14	--
15	--
16	--
17	--

Item #	CE 0274728-G
18	--
19	--
20	1705921
21	1705822
22	1701518
23	1705961
24	1705828
25	--
26	--
27	1702631
28	1706770
29	1705468
30	--
31	--
32	--
33	--
34	1701505
35	1706098

## SECTION 4 - MACHINE OPERATION

---

Table 4-3. Decal Legend - S/N 0300141446 to 0300272496- CE Only

Item #	CE 0274728-G
36	1705511
37	1701501
38	--
39	--
40	--
41	--
42	--
43	--
44	1702773
45	--
46	1705864
47	--
48	--
49	--
50	--
51	--
52	--
53	--

Table 4-3. Decal Legend - S/N 0300141446 to 0300272496- CE Only

Item #	CE 0274728-G
54	--
55	--
56	--
57	--
58	--
59	--
60	--
61	--
62	--
63	--
64	--
65	--
66	--
67	--





**NOTES:**

A large area with horizontal lines for taking notes, divided into two columns. Each column contains 17 lines.



## **SECTION 5. EMERGENCY PROCEDURES**

### **5.1 GENERAL**

This section explains the steps to be taken in case of an emergency situation while operating.

### **5.2 INCIDENT NOTIFICATION**

JLG Industries, Inc. must be notified immediately of any incident involving a JLG product. Even if no injury or property damage is evident, the factory should be contacted by telephone and provided with all necessary details.

- USA: 877-JLG-SAFE (554-7233)
- EUROPE: (32) 0 89 84 82 20
- AUSTRALIA: (61) 2 65 811111
- E-mail: ProductSafety@JLG.com

Failure to notify the manufacturer of an incident involving a JLG Industries product within 48 hours of such an occurrence may void any warranty consideration on that particular machine.

### **NOTICE**

**FOLLOWING ANY ACCIDENT, THOROUGHLY INSPECT THE MACHINE AND TEST ALL FUNCTIONS FIRST FROM THE GROUND CONTROLS, THEN FROM THE PLATFORM CONTROLS. DO NOT LIFT ABOVE 3 M (10 FT.) UNTIL YOU ARE SURE THAT ALL DAMAGE HAS BEEN REPAIRED, IF REQUIRED, AND THAT ALL CONTROLS ARE OPERATING CORRECTLY.**

### **5.3 EMERGENCY OPERATION**

#### **Operator Unable to Control Machine**

IF THE PLATFORM OPERATOR IS PINNED, TRAPPED OR UNABLE TO OPERATE OR CONTROL MACHINE:

1. Other personnel should operate the machine from ground controls only as required.
2. Other qualified personnel on the platform may use the platform controls. DO NOT CONTINUE OPERATION IF CONTROLS DO NOT FUNCTION PROPERLY.
3. Cranes, forklift trucks or other equipment can be used to remove platform occupants and stabilize motion of the machine.

### **Platform or Boom Caught Overhead or Boom Movement Prevented by Boom Control System**

Lowering the boom onto an object or structure may cause the boom control system to prevent movement of the machine. This can include movement necessary to lift the boom off the object. Additionally, if the platform or boom becomes jammed or snagged in overhead structures, movement of the boom can be regained by doing the following:

1. Shut off the machine.
2. Rescue all people in the platform before freeing the machine. Personnel must be out of the platform before operating any controls on the machine.
3. Use cranes, forklifts, or other equipment to stabilize motion of the machine to prevent a tip over as required.
4. From the ground controls, use the Auxiliary Power System to carefully free the platform or boom from the object.
5. Once clear, restart the machine and return the platform to a safe position.
6. Inspect the machine for damage. If the machine is damaged or does not operate properly, turn off the machine immediately. Report the problem to the proper maintenance personnel. Do not operate the machine until it is declared safe for operation.

### **5.4 EMERGENCY TOWING PROCEDURES**

Towing this machine is prohibited, unless properly equipped. However, provisions for moving the machine have been incorporated. For specific procedures, refer to Section 4.

## 5.5 MACHINE SAFETY SYSTEM OVERRIDE (MSSO)(CE ONLY)

The Machine Safety System Override (MSSO) is only to be used to retrieve an operator that is pinned, trapped, or unable to operate the machine and function controls are locked out from the platform due to a platform overload situation.



**NOTE:** *If the MSSO functionality is used, the fault indicator will flash and a fault code is set in the JLG Control System which must be reset by a qualified JLG Service Technician.*

**NOTE:** *No functional checks of the MSSO system are necessary. The JLG Control system will set a Diagnostic Trouble Code if the control switch is faulty.*

To operate the MSSO:

1. From the ground control console, place the Platform/ Ground Select switch in the Ground position.
2. Pull out the Power/Emergency Stop control.
3. Start the engine.
4. Press and hold the MSSO switch and the control switch for the desired function.

**SECTION 5 - EMERGENCY PROCEDURES**

---

 **NOTES:**

---

---

---

---

---

---

---

---

---

---

---

---

---

---

---

---

---

---

---

---

---

---

---

---

---

---

---

---

---

---

---

---

---

---

---

---

## SECTION 6. ACCESSORIES

Table 6-1. Available Accessories

Accessory	Market						
	ANSI (USA Only)	ANSI	CSA	CE	AUS	Japan	China
Fall Arrest Platform (36" x 72")	√	√					√
Fall Arrest Platform (36" x 96")	√						
Pipe Racks	√				√		
SkyCutter™	√	√	√			√	√
SkyGlazier™	√		√	√	√		√
SkyPower™	√	√	√	√	√	√	√
SkyWelder™	√	√	√	√		√	√
Soft Touch	√	√	√	√		√	√
Bolt-On External Fall Arrest (36" x 72")	√	√	√			√	√
Bolt-On External Fall Arrest (36" x 96")	√	√	√			√	√

## SECTION 6 - ACCESSORIES

**Table 6-2. Options/Accessories Relationship Table**

ACCESSORY	REQUIRED ITEM	COMPATIBLE WITH (Note 1)	INCOMPATIBLE WITH	INTERCHANGABLE WITH (Note 2)
Pipe Racks		SkyPower™	Platform MMR**, Platform MTR*, Soft Touch	SkyCutter™, SkyGlazier™, SkyWelder™
SkyCutter™	SkyPower™	SkyWelder™	4' Platform, Pipe Racks, Platform MTR*, Soft Touch	SkyGlazier™
SkyGlazier™		SkyPower™	4' Platform, Pipe Racks, Platform MTR*, Soft Touch	SkyCutter™, SkyWelder™
SkyPower™		SkyCutter™, SkyGlazier™, SkyWelder™		
SkyWelder™	SkyPower™	SkyCutter™	4' Platform, Pipe Racks, Platform MTR*, Soft Touch	SkyGlazier™
Soft Touch		SkyPower™	Pipe Racks, SkyCutter™, SkyGlazier™, SkyWelder™	
<b>Note 1:</b> Any non-"Sky" accessory not listed under "INCOMPATIBLE WITH" is assumed to be compatible.				
<b>Note 2:</b> Can be used on same unit but not simultaneously.				
* Platform MTR = Platform Mesh to Top Rail; ** Platform MMR = Platform Mesh to Mid Rail				



**⚠ WARNING**

INSTALLING OR REMOVING APPROVED ACCESSORIES OR CHANGING PLATFORM SIZE REQUIRES RECALIBRATION OF THE BOOM CONTROL SYSTEM (SEE SERVICE AND MAINTENANCE MANUAL).

**6.1 FALL ARREST PLATFORM**

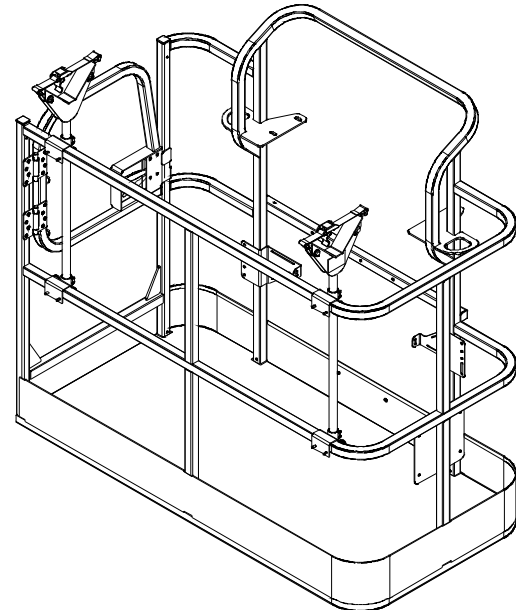
**NOTE:** See the JLG External Fall Arrest System manual (PN 3128935) for more detailed information.

The external fall arrest system is designed to provide a lanyard attach point while allowing the operator to access areas outside the platform. Exit/enter the platform through the gate area only. The system is designed for use by one person.

Personnel must use fall protection at all times. A full body harness is required with lanyard not to exceed 6 ft (1.8 m) in length, that limits the maximum arrest force to 900 lbs (408 kg) for the trans-fastener type and 1350 lbs (612 kg) for the shuttle type fall arrest system.

**Safety Precautions****⚠ WARNING**

**DO NOT OPERATE ANY MACHINE FUNCTIONS WHILE OUTSIDE THE PLATFORM. USE CAUTION WHEN ENTERING/EXITING THE PLATFORM AT ELEVATION.**

**6.2 PIPE RACKS**

Pipe Racks provide a way to store pipe or conduit inside the platform in order to prevent rail damage and optimize platform utility. This accessory consists of two racks with adjustable straps to secure the load in place.

### Capacity Specifications (Australia Only)

Max. Capacity in Racks	Max. Platform Capacity (With Max. Weight in Racks)
80 kg	184 kg
Max. Length of Material in Racks: 6.0 m Min. Length of Material in Racks: 2.4 m	

### Safety Precautions

#### **WARNING**

REDUCE PLATFORM CAPACITY BY 100 LBS (45.5 KG) WHEN INSTALLED.

#### **WARNING**

WEIGHT IN RACKS PLUS WEIGHT IN PLATFORM MUST NOT EXCEED RATED CAPACITY.

#### **NOTICE**

THE MAXIMUM LOAD IN THE RACKS IS 180 LBS (80 KG) EVENLY DISTRIBUTED BETWEEN THE TWO RACKS.

#### **NOTICE**

THE MAXIMUM LENGTH OF MATERIAL IN RACKS IS 20 FT (6.1 M).

- Ensure no personnel are beneath the platform.
- Do not exit platform over rails or stand on rails.
- Do not drive machine without material secured
- Return racks to the stowed position when not in use.
- Use this option only on approved models.

### Preparation and Inspection

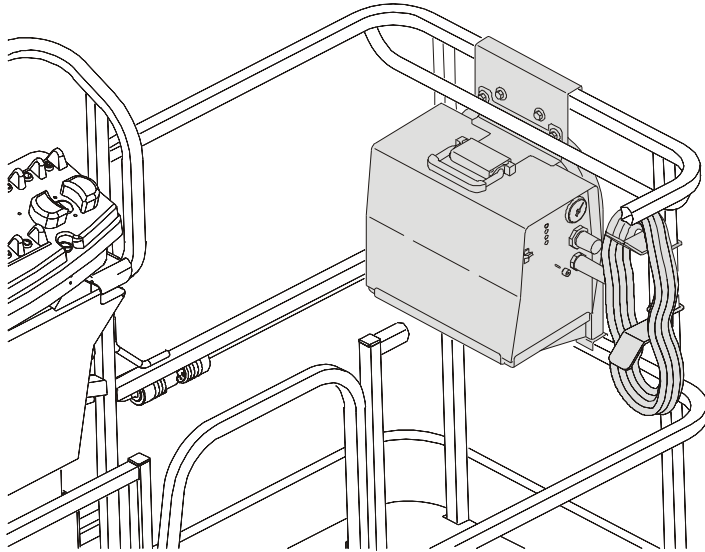
- Ensure racks are secured to the platform rails.
- Replace torn or frayed tie-down straps.

### Operation

1. To prepare racks for loading, remove locking pins, rotate each rack 90 degrees from stowed to working position, then secure with locking pins.
2. Loosen and remove tie-down straps. Place material on racks with weight evenly distributed between both racks.
3. Route the tie-down straps at each end across loaded material and tighten.
4. To remove material, loosen and remove tie-down straps, then carefully remove material from racks.

**NOTE:** *Reinstall tie-down straps across any remaining material before continuing machine operations.*

### 6.3 SKYCUTTER™



SkyCutter™ is capable of cutting up to a thickness of 3/8" metal. It can produce 27 A at 92 VDC at 35% duty cycle or 14 A at 92 VDC at 60% duty cycle. It receives power from the SkyPower™ system.

### Safety Precautions

**⚠ WARNING**  
DO NOT OVERLOAD PLATFORM.

**⚠ WARNING**  
DE-RATE THE PLATFORM BY 70 LBS (32 KG) WHEN PLASMA CUTTER IS IN PLATFORM.

- Check for cracked welds and damage to plasma supports.
- Check for secure installation of cutter and bracket.
- Ensure no personnel are beneath platform.
- Do not exit platform over rails or stand on rails.
- Use this option only on approved models.
- Keep lanyard attached at all times.
- Use correct cutting settings.
- Do not use electrical cords without ground.
- Do not use electrical tools in water.
- Do not cut platform, or ground through the platform.
- Wear proper cutting apparel.
- Do not drive machine while connected to external air/gas sources.

## SECTION 6 - ACCESSORIES

### Accessory Ratings

Spec.	Rated Output	Amperes Input @ Rated Output, 60 Hz, 1-Phase	kVa/kW	Plasma Gas	Plasma Gas Flow/ Pressure	Rated Cutting Capacity @ 10 IPM	Max. OCV
120Volts ±10% (20 A)	27 A @ 91VDC @ 20% Duty Cycle	28.8 max; 0.30*	3.4 kVa 3.2 kW	Air or Nitrogen Only @ 90 - 120 psi (621 - 827 kPa)	4.5 cfm (129 L/Min) @ 60 psi (414 kPa)	3/8 in (10 mm)	400VDC
120Volts ±10% (15 A)	20 A @ 88VDC @ 35% Duty Cycle	20.6 max; 0.30*	2.5 kVa 2.3 kW				
240Volts ±10% (27 A)	27 A @ 91VDC @ 35% Duty Cycle	13.9 max; 0.13*	3.3 kVa 3.0 kW				
*While idling.							

### Generator Output

Engine Speed of 1800 rpm +/- 10%.

#### ANSI Specifications:

- 3-phase: 240 V, 60 Hz, 7.5 kW
- 1-phase: 240 V/120 V, 60 Hz, 6 kW

### Preparation and Inspection

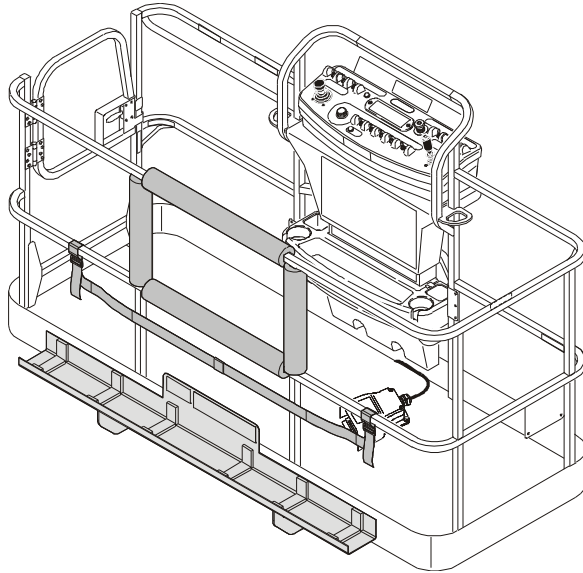
- Connect ground clamp to metal being cut.
- Ensure there is a good ground connection.

### Operation

Start the engine, turn on the generator, then turn on the plasma cutter.

See the Miller Plasma Cutter Owner's Manual (PN 3128420) for more information.

## 6.4 SKYGLAZIER™



SkyGlazier™ allows glaziers to position panels efficiently. The glazier package consists of a tray that attaches the bottom of the platform. The panel rests on the tray and against top-rail of the platform, which is padded to prevent damage. SkyGlazier™ includes a strap to secure the panel to the platform rail.

## Capacity Specifications

Capacity Zone *	Max. Tray Capacity	Max. Platform Capacity (With Max. Weight in Tray)
500 lbs (227 kg)	150 lbs (68 kg)	250 lbs (113 kg)
550 lbs (250 kg)	150 lbs (68 kg)	250 lbs (113 kg)
600 lbs (272 kg)	150 lbs (68 kg)	250 lbs (113 kg)
750 lbs (340 kg)	150 lbs (68 kg)	440 lbs (200 kg)
1000 lbs (454 kg)	250 lbs (113 kg)	500 lbs (227 kg)

\* Refer to the capacity decals installed on the machine for capacity zone information.

**Required Platform Type:** Side-Entry

**Max. Dimensions of Panel:** 32 sq ft (3 sq m)

### **⚠ WARNING**

**INSTALLING OR REMOVING APPROVED ACCESSORIES OR CHANGING PLATFORM SIZE REQUIRES RECALIBRATION OF THE BOOM CONTROL SYSTEM (SEE SERVICE AND MAINTENANCE MANUAL).**

### Safety Precautions

#### **WARNING**

ENSURE PANEL IS SECURED WITH STRAP.

#### **WARNING**

DO NOT OVERLOAD TRAY OR PLATFORM. TOTAL MACHINE CAPACITY IS REDUCED WHEN TRAY IS INSTALLED.

#### **WARNING**

WITH SKYGLAZIER™ INSTALLED, THE ORIGINAL PLATFORM CAPACITY RATINGS ARE REDUCED AS SPECIFIED IN THE CAPACITY SPECIFICATIONS TABLE. DO NOT EXCEED NEW PLATFORM CAPACITY RATINGS. REFER TO CAPACITY DECAL LOCATED ON TRAY.

#### **WARNING**

AN INCREASE OF THE AREA EXPOSED TO THE WIND WILL DECREASE STABILITY. LIMIT PANEL AREA TO 32 SQ FT (3 SQ M).

- Ensure no personnel are beneath platform.
- Do not exit platform over rails or stand on rails.
- Remove tray when not in use.
- Use this option only on approved models.

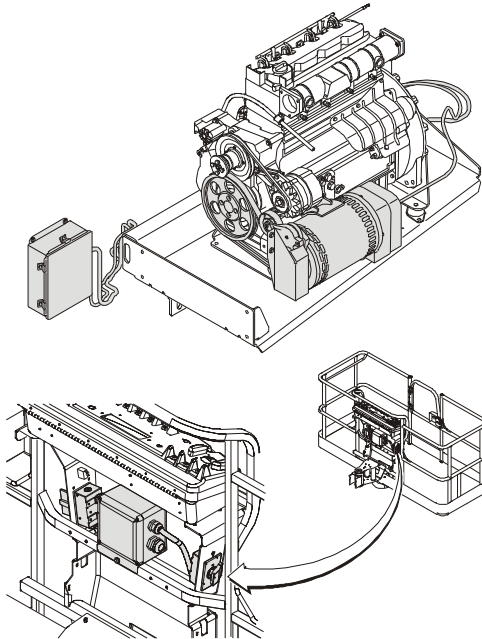
### Preparation and Inspection

- Check for cracked welds and damage to tray.
- Ensure tray is properly secured to platform.
- Ensure strap is not torn or frayed.

### Operation

1. Load SkyGlazier™ tray with panel.
2. Route the adjustable strap around the panel and tighten until secure.
3. Position panel to its desired location.

## 6.5 SKYPOWER™



The SkyPower™ system supplies AC power to the platform through an AC receptacle to run tools, lights, cutting, and welding equipment.

All power regulation components are located in a watertight box connected by cable to the generator. The generator supplies power when running at the specified speed with the power switch on (switch is located on platform). A three-pole, 30 Amp circuit breaker protects the generator from overload.

### Generator Output

#### ANSI Specifications:

- 3-phase: 240 V, 60 Hz, 7.5 kW
- 1-phase: 240 V/120 V, 60 Hz, 6 kW

#### CE Specifications:

- 3-phase: 240 V, 7.5 kW, 18.3 A, 1.0-pf
- 1-phase: 240 V, 6.0 kW, 26 A, 1.0-pf
- 1-phase: 120 V, 6.0 kW, 50 A, 1.0-pf

#### Peak:

- 3-phase: 8.5 kW
- 1-phase: 6.0 kW

### Accessory Ratings

- 3000 rpm (50 Hz)
- 3600 rpm (60 Hz)

### Safety Precautions

#### **⚠ WARNING**

**DO NOT OVERLOAD PLATFORM.**

- Ensure no personnel are beneath platform.
- This factory-installed option is available only on specified models.
- Keep lanyard attached at all times.
- Do not use electrical tools in water.
- Use correct voltage for tool being used.
- Do not overload circuit.

### Preparation and Inspection

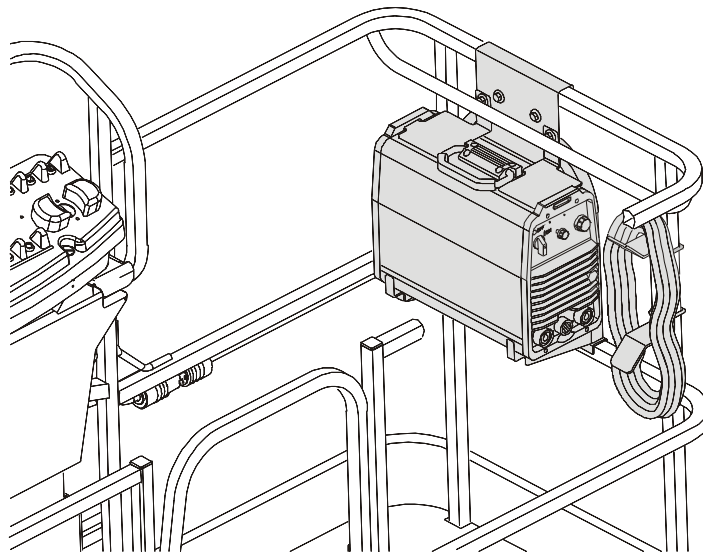
- Ensure generator is secure.
- Check condition of belt and wiring.

### Operation

Start the engine, then turn on the generator.

See the Miller Generator Technical Manual (PN 3121677) for more information.

### 6.6 SKYWELDER™



SkyWelder™ is capable of TIG and Stick welding, producing 200 Amps at 100% duty cycle or 250 Amps at 50% duty cycle. This accessory receives power from the SkyPower™ system.



## Accessory Ratings

Welding Mode	Input Power	Rated Output	Welding Amperage Range	Maximum Open Circuit Voltage	Amps Input At Rated Load Output (50/60 Hz)				
					230 V	460 V	575 V	kVa	kW
Stick (SMAW) TIG (GTAW)	3-phase	280 Amp at 31.2V, 35% Duty Cycle	5-250 A	79VDC	32	17	13	15.7	10
		200 Amp at 28V, 100% Duty Cycle			20	11	8	10.3	6.4
	1-phase	200 Amp at 28V, 50% Duty Cycle	5-200 A	79VDC	35	-----	-----	9.8	6.5
		150 Amp at 28V, 100% Duty Cycle			34	-----	-----	6.9	4.4

## Generator Output

Engine Speed of 1800 rpm +/- 10%.

### ANSI Specifications:

- 3-phase: 240 V, 60 Hz, 7.5 kW
- 1-phase: 240 V/120 V, 60 Hz, 6 kW

### CE Specifications:

- 3-phase: 400 V, 50 Hz, 7.5 kW
- 1-phase: 220 V, 50 Hz, 6 kW

## Welding Accessories

- 12 ft welding leads with clamp and stinger (stored in the platform)
- Fire extinguisher

### Safety Precautions

**⚠ WARNING**

**DO NOT OVERLOAD PLATFORM.**

**⚠ WARNING**

**DE-RATE THE PLATFORM BY 70 LBS (32 KG) WHEN WELDER IS IN THE PLATFORM.**

- Check for cracked welds and damage to welder supports.
- Check for proper and secure installation of welder and bracket.
- Ensure no personnel are beneath platform.
- Do not exit platform over rails or stand on rails.
- Use this option only on approved models.
- Keep lanyard attached at all times.
- Ensure correct polarity of leads.
- Wear proper welding apparel.

- Use correct rod size and current settings.
- Do not use electrical cords without ground.
- Do not use electrical tools in water.
- Do not weld to the platform.
- Do not ground through the platform.
- Do not use a high frequency arc starter with TIG welder.

### Preparation and Inspection

- Connect ground clamp to metal being welded.
- Ensure there is a good ground connection and observe proper polarity.

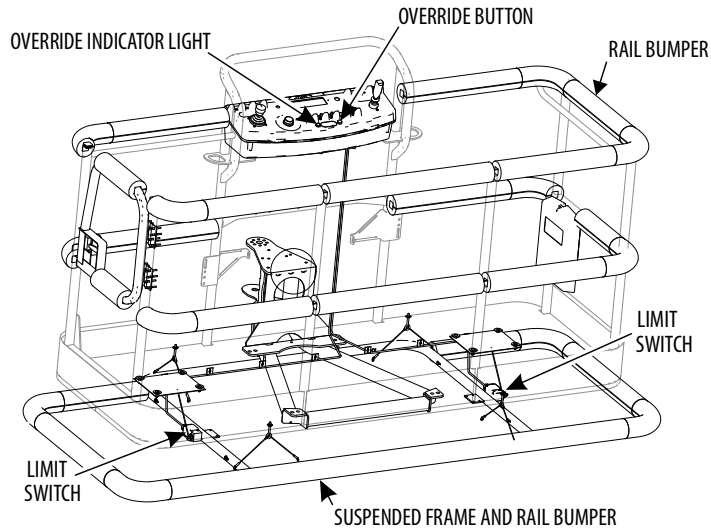
### Operation

Start the engine, turn on the generator, then turn on the welder.

See the Miller Welder Owner's Manual (PN 3128957) for more information.

## 6.7 SOFT TOUCH

A padding kit is mounted to the platform rails and to a frame suspended below the platform. Limit switches deactivate platform functions when the padded framework contacts an adjacent structure. A button on the platform console allows override of the system.



## 6.8 BOLT-ON EXTERNAL FALL ARREST

The bolt-on external fall arrest system is designed to provide a lanyard attach point while allowing the operator to access areas outside the platform. Exit/Enter the platform through the gate area only. The system is designed for use by one person.

Personnel must use fall protection at all times. A full body harness is required with lanyard not to exceed 6 ft. (1.8 M) in length, that limits the maximum arrest force to 900 lbs. (408 kg).

External Fall Arrest System capacity is 310 lb (140 kg) - one (1) person maximum.

Do not move platform during use of the external fall arrest system.

### **⚠ WARNING**

**DO NOT OPERATE ANY MACHINE FUNCTIONS WHILE OUTSIDE OF PLATFORM. BE CAREFUL WHEN ENTERING/EXITING THE PLATFORM AT ELEVATION.**

### **⚠ WARNING**

IF THE EXTERNAL FALL ARREST SYSTEM IS USED TO ARREST A FALL OR IS OTHERWISE DAMAGED, THE ENTIRE SYSTEM MUST BE REPLACED AND THE PLATFORM FULLY INSPECTED BEFORE RETURNING TO SERVICE. REFER TO THE SERVICE MANUAL FOR REMOVAL AND INSTALLATION PROCEDURES.

### **NOTICE**

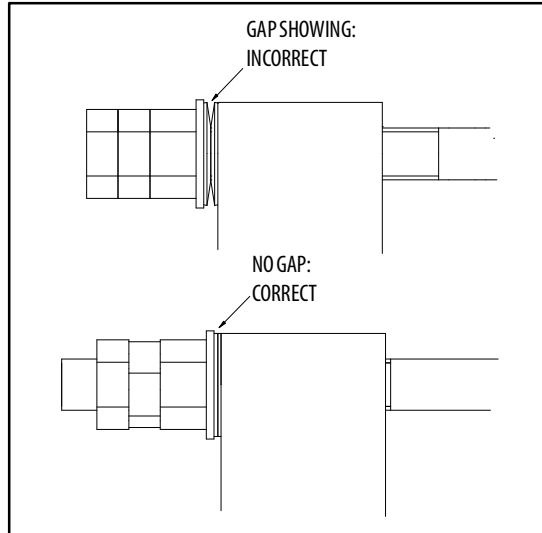
THE EXTERNAL FALL ARREST SYSTEM REQUIRES AN ANNUAL INSPECTION AND CERTIFICATION. THE ANNUAL INSPECTION AND CERTIFICATION MUST BE PERFORMED BY A QUALIFIED PERSON OTHER THAN THE USER.

## Inspection Before Use

The external fall arrest system must be inspected before each use of the aerial work platform. Replace components if there are any signs of wear or damage.

Before each use, perform a visual inspection of the following components:

- Cable: Inspect cable for proper tension, broken strands, kinks, or any signs of corrosion.

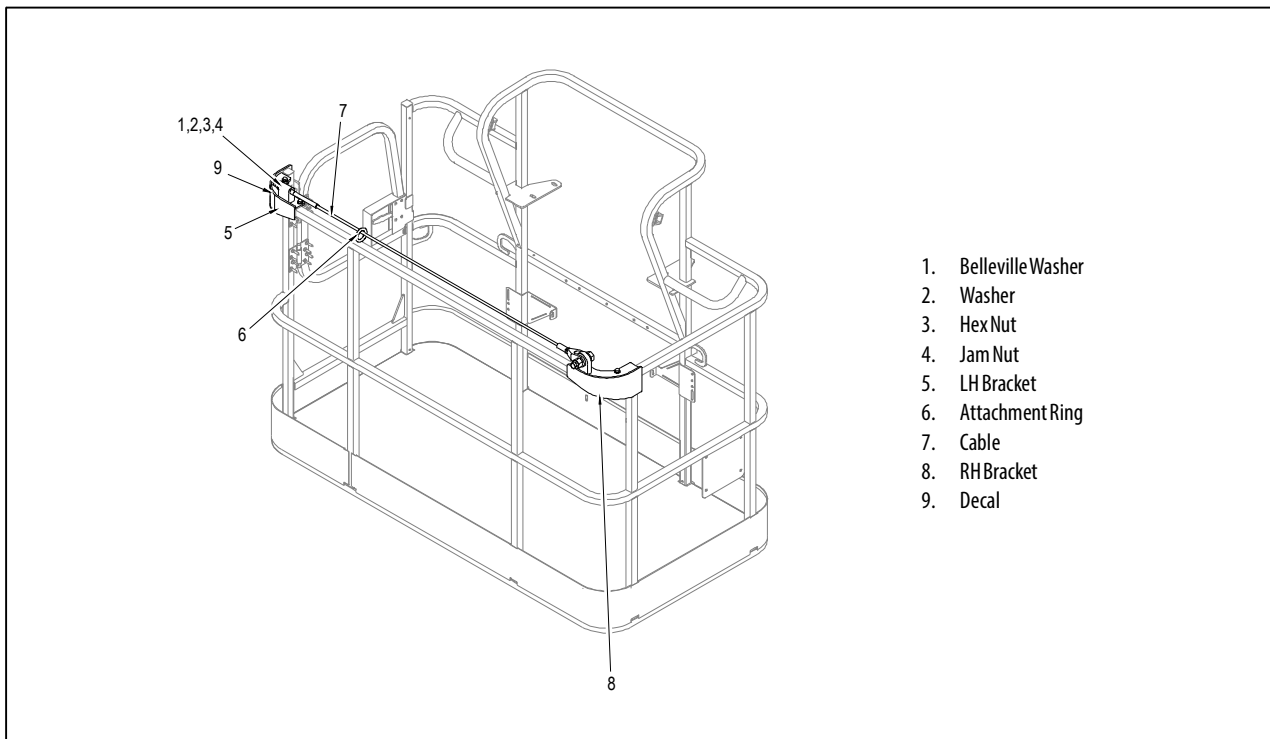


**Figure 6-1. Bolt-On External Fall Arrest Cable Tension**

- Fittings & Brackets: Ensure all fittings are tight and there are no signs of fractures. Inspect brackets for any damage.

- Attachment Ring: No cracks or signs of wear are acceptable. Any signs of corrosion requires replacement.
- Attaching Hardware: Inspect all attaching hardware to ensure there are no missing components and hardware is properly tightened.
- Platform Rails: No visible damage is acceptable.

## SECTION 6 - ACCESSORIES



**Figure 6-2. Bolt-On External Fall Arrest System**

## SECTION 7. GENERAL SPECIFICATIONS & OPERATOR MAINTENANCE

### 7.1 INTRODUCTION

This section of the manual provides additional necessary information to the operator for proper operation and maintenance of this machine.

The maintenance portion of this section is intended as information to assist the machine operator to perform daily maintenance tasks only, and does not replace the more thorough Preventive Maintenance and Inspection Schedule included in the Service and Maintenance Manual.

#### Other Publications Available:

Service and Maintenance Manual .....	3121171
Illustrated Parts Manual (Prior to SN 0300201017).....	3121172
Illustrated Parts Manual (SN 0300201017 to 0300272496) .....	3121737
Troubleshooting Guide .....	3128411
Troubleshooting CD .....	3128444

### 7.2 OPERATING SPECIFICATIONS AND PERFORMANCE DATA

**Table 7-1. Operating Specifications - Prior to S/N 0300141446**

Maximum Work Load (Capacity) Unrestricted	500lb (230 kg)
Restricted	1000lb. (450 kg)
Max. Vertical Platform Height (Unrestricted)	125 ft. (38.1 m)
Max. Vertical Platform Height (Restricted)	125 ft. (38.1 m)
Max. Horizontal Platform Reach (Unrestricted)	63 ft. 2 in. (19.3 m)
Max. Horizontal Platform Reach (Restricted)	53 ft. 2 in. (16.2 m)
Up and Over Height	60 ft. 7 in. (18.5 m)
Main Boom Range (At Maximum Up & Over)	+75° / -55°
Maximum Boom Swing	360° Continuous
JibPLUS Length	8ft. (2.44m)
Horizontal Motion	125° working, 210° stowed
Vertical Motion	130° (+75/-55)
Max. Hydraulic System Pressure	4600 psi (317 Bar)

## SECTION 7 - GENERAL SPECIFICATIONS & OPERATOR MAINTENANCE

**Table 7-1. Operating Specifications - Prior to S/N 0300141446**

Maximum Wind Speed	28 mph (12.5 m/s)
Maximum Manual Force	400 N
Electrical System Voltage	12 Volts
Max Tire Load	23,700 lbs. (10750 kg)
Maximum Platform Rotation	±90°

**Table 7-2. Operating Specifications - S/N 0300141446 to 0300272496**

Maximum Work Load (Capacity) - ANSI Unrestricted	500 lb (227 kg)
Restricted	1000 lb. (454 kg)
Maximum Work Load (Capacity)- CE & Australia Unrestricted	500 lb (230 kg)
Restricted	1000 lb. (450 kg)
Max. Vertical Platform Height (Unrestricted)	125 ft. (38.1 m)
Max. Vertical Platform Height (Restricted)	125 ft. (38.1 m)
Max. Horizontal Platform Reach (Unrestricted)	63 ft. 2 in. (19.3 m)
Max. Horizontal Platform Reach (Restricted)	53 ft. 2 in. (16.2 m)
Up and Over Height	60 ft. 7 in. (18.5 m)
Main Boom Range (At Maximum Up & Over)	+75° / -55°

**Table 7-2. Operating Specifications - S/N 0300141446 to 0300272496**

Maximum Boom Swing	360° Continuous
JibPLUS Length	8ft. (2.44m)
Horizontal Motion	125° working, 210° stowed
Vertical Motion	130° (+75/-55)
Max. Hydraulic System Pressure	4600 psi (317 Bar)
Maximum Wind Speed	28 mph (12.5 m/s)
Maximum Manual Force	400 N
Electrical System Voltage	12 Volts
Max Tire Load	23,700 lbs. (10750 kg)
Maximum Platform Rotation	±90°



**Dimensional Data**

**Table 7-3. Dimensional Data**

Overall Width Axles Retracted Axles Extended	8ft. 2in. (2.49 m) 12ft. 6in. (3.8 m)
Stowed Height	10ft. (3.05 m)
Stowed Length (Transport Mode)	37 ft. 7 in. (11.46 m)
Stowed Length (Working Mode)	47 ft. 6 in. (14.48 m)
Wheelbase	12ft. 6in. (3.81 m)
Tailswing Tower Up Tower Down	7 ft. (2.13 m) 11 ft. 3 in. (3.43 m)
Oscillating Axle	±6 in. (0.15 m)
Ground Clearance (Axle)	12 in. (30.4 cm)
Ground Clearance (Chassis)	25.5 in. (64.7 cm)

**Chassis**

**Table 7-4. Chassis Specifications**

Maximum Travel Grade With boom in stowed position (Gradeability)	45%
Maximum Travel Grade With boom in stowed position (Side Slope)	5°
Turning Radius (Axles Retracted) Outside Inside	22 ft. 6 in. (6.8 m) 14 ft. 5 in. (4.4 m)
Turning Radius (Axles Extended) Inside Outside	8 ft. (2.4 m) 19 ft. 4 in. (5.9 m)
Max Tire Load	23700 lbs. (10750 kg)
Max Ground Bearing Pressure	100 psi (7.03 kg/cm <sup>2</sup> )
Maximum Drive Speed Stowed Elevated	3.25 mph (5.2 kph) 0.75 mph (1.2 kph)
Gross Machine Weight Platform Empty Platform Empty w/ Skypower	44,000 lbs. (19,958 kg) 44,215 lbs. (20,056 kg)

## SECTION 7 - GENERAL SPECIFICATIONS & OPERATOR MAINTENANCE

### Capacities

**Table 7-5. Capacities**

Hydraulic Tank	53.3 gallons (201.7 liters)
Fuel Tank	31 gallons (117 liters)
Hydraulic System	65.4 gallons (247.5 liters)
Drive Hub Bonfiglioli Reggiana Riduttori	2.1 quarts (2 liters) ± 10% 0.5 quarts (0.5 liters) ± 10%

### Tires

**Table 7-6. Tire Specifications**

Size	445/50D710
Load Range	J
Ply Rating	18
Foam Fill	Polyurethane HD (55 Durometer) Foam
Diameter	46.45 in. (117.9 cm)
Width	18 in. (45.7 cm)
Rim Size	15x28
Tire & Wheel Weight	867 lbs. (393 kg)
Max Tire Load	23,700 lbs. (10750 kg)
Size	445/65-24
Type	Solid
Diameter	45.3 in. (115.1 cm)
Width	17.3 in. (43.9 cm)
Rim Size	12.00-24
Tire & Wheel Weight	960 lbs. (435.4 kg)
Max Tire Load	23,700 lbs. (10750 kg)

**SECTION 7 - GENERAL SPECIFICATIONS & OPERATOR MAINTENANCE**

**Engine Data - Deutz 2011 Prior to S/N 0300127698**

**Table 7-7. Deutz BF4M2011 Specifications**

Type	Liquid Cooled
Number of Cylinders	4
Bore	3.7 in. (94 mm)
Stroke	4.4 in. (112 mm)
Total Displacement	190 cu. in. (3108 cm <sup>3</sup> )
Compression Ratio	17.5
Firing Order	1-3-4-2
Output	87hp (65 kW)
Oil Capacity	
Cooling System	5 Quarts (4.5 L)
w/Filter	11 Quarts (10.5 L)
Total Capacity	16 Quarts (15 L)
Average Fuel Consumption	1.1 gph (4.1 lph)
Idle Engine RPM	1200
Mid Engine RPM	1800
High Engine RPM	2475

**Engine Data - Deutz 2011 S/N 0300127698 to 0300272496**

**Table 7-8. Deutz TD2011L4 Specifications**

Type	Liquid Cooled
Number of Cylinders	4
Bore	3.7 in. (94 mm)
Stroke	4.4 in. (112 mm)
Total Displacement	190 cu. in. (3108 cm <sup>3</sup> )
Compression Ratio	17.5
Firing Order	1-3-4-2
Output	75hp (56 kW)
Oil Capacity	
Cooling System	5 Quarts (4.5 L)
w/Filter	11 Quarts (10.5 L)
Total Capacity	16 Quarts (15 L)
Average Fuel Consumption	1.1 gph (4.1 lph)
Idle Engine RPM	1200
Mid Engine RPM	1800
High Engine RPM	2475

## SECTION 7 - GENERAL SPECIFICATIONS & OPERATOR MAINTENANCE

### Engine Data - Deutz TCD2.9L4

Table 7-9. Deutz TCD2.9L4 Specifications

Type	Liquid Cooled
Number of Cylinders	4
Bore	3.6 in. (92 mm)
Stroke	4.3 in. (110 mm)
Total Displacement	178 cu. in. (2925 cm <sup>3</sup> )
Firing Order	1-3-4-2
Output	74.2hp (55.4 kW)
Oil Capacity	2.4 Gallon (8.9 L)
Coolant Capacity (System)	3.2 Gallon (12.1 L)
Average Fuel Consumption	1.2 gph (4.1 lph)
Min. Low Engine RPM	1200
Mid Engine RPM	1800
Max. High Engine RPM	2500

### Engine Data - Caterpillar

Table 7-10. Caterpillar 3.4T

Type	Liquid Cooled, Antifreeze
Number of Cylinders	4
Bore	3.7 in. (94 mm)
Stroke	4.7 in. (120 mm)
Total Displacement	201 cu. in. (3294 cm <sup>3</sup> )
Compression Ratio	19.5:1
Firing Order	1-3-4-2
Output	73.7hp (55 kW)
Oil Capacity	10.5 Quarts (10 L)
Average Fuel Consumption	1.36 gph (5.14 lph)
Idle Engine RPM	1200
Mid Engine RPM	1800
High Engine RPM	2475

**Hydraulic Oil**

**Table 7-11. Hydraulic Oil Specifications**

Hydraulic System Operating Temperature Range	S.A.E. Viscosity Grade
+0° to +180°F (-18° to +83°C)	10W
+0° to +210°F (-18° to +99°C)	10W-20, 10W30
+50° to +210°F (+10° to +99°C)	20W-20

**NOTE:** Hydraulic oils must have anti-wear qualities at least to API Service Classification GL-3, and sufficient chemical stability for mobile hydraulic system service. JLG Industries recommends Mobilfluid 424 hydraulic oil, which has an SAE viscosity index of 152.

**NOTE:** When temperatures remain consistently below 20 degrees F. (-7 degrees C.), JLG Industries recommends the use of Mobil DTE13.

Aside from JLG recommendations, it is not advisable to mix oils of different brands or types, as they may not contain the same required additives or be of comparable viscosities.

**Table 7-12. Mobilfluid 424 Specs**

SAE Grade	10W30
Gravity, API	29.0
Density, Lb/Gal. 60°F	7.35
Pour Point, Max	-46°F (-43°C)
Flash Point, Min.	442°F (228°C)
Viscosity	
Brookfield, cP at -18°C	2700
at 40°C	55 cSt
at 100°C	9.3 cSt
Viscosity Index	152

## SECTION 7 - GENERAL SPECIFICATIONS & OPERATOR MAINTENANCE

**Table 7-13. Mobil DTE 10 Excel 32 Specs**

ISO Viscosity Grade	#32
Specific Gravity	0.877
Pour Point, Max	-40°F (-40°C)
Flash Point, Min.	330°F (166°C)
<b>Viscosity</b>	
at 40°C	33 cSt
at 100°C	6.6 cSt
at 100°F	169 SUS
at 210°F	48 SUS
cp at -20°F	6,200
Viscosity Index	140

**Table 7-14. UCon Hydrolube HP-5046**

Type	Synthetic Biodegradable
Specific Gravity	1.082
Pour Point, Max	-58°F (-50°C)
pH	9.1
<b>Viscosity</b>	
at 0°C (32°F)	340 cSt (1600 SUS)
at 40°C (104°F)	46 cSt (215 SUS)
at 65°C (150°F)	22 cSt (106 SUS)
Viscosity Index	170

**SECTION 7 - GENERAL SPECIFICATIONS & OPERATOR MAINTENANCE**

**Table 7-15. Exxon Univis HVI 26 Specs**

Specific Gravity	32.1
Pour Point	-76°F (-60°C)
Flash Point	217°F (103°C)
<b>Viscosity</b>	
at 40°C	25.8 cSt
at 100°C	9.3 cSt
Viscosity Index	376
<b>NOTE:</b> Mobil/Exxon recommends that this oil be checked on a yearly basis for viscosity.	

**Table 7-16. Mobil EAL H 46 Specs**

Type	Synthetic Biodegradable
ISO Viscosity Grade	46
Density at 15° C	.874
Pour Point	-49°F (-45°C)
Flash Point	500°F (260°C)
Operating Temp.	-20 to 200°F (-29 to 93°C)
Weight	7.64 lb/gal (0.9 kg/L)
<b>Viscosity</b>	
at 40°C	48.8 cSt
at 100°C	7.8 cSt
Viscosity Index	145

## SECTION 7 - GENERAL SPECIFICATIONS & OPERATOR MAINTENANCE

**Table 7-17. Mobil EAL 46 Specs**

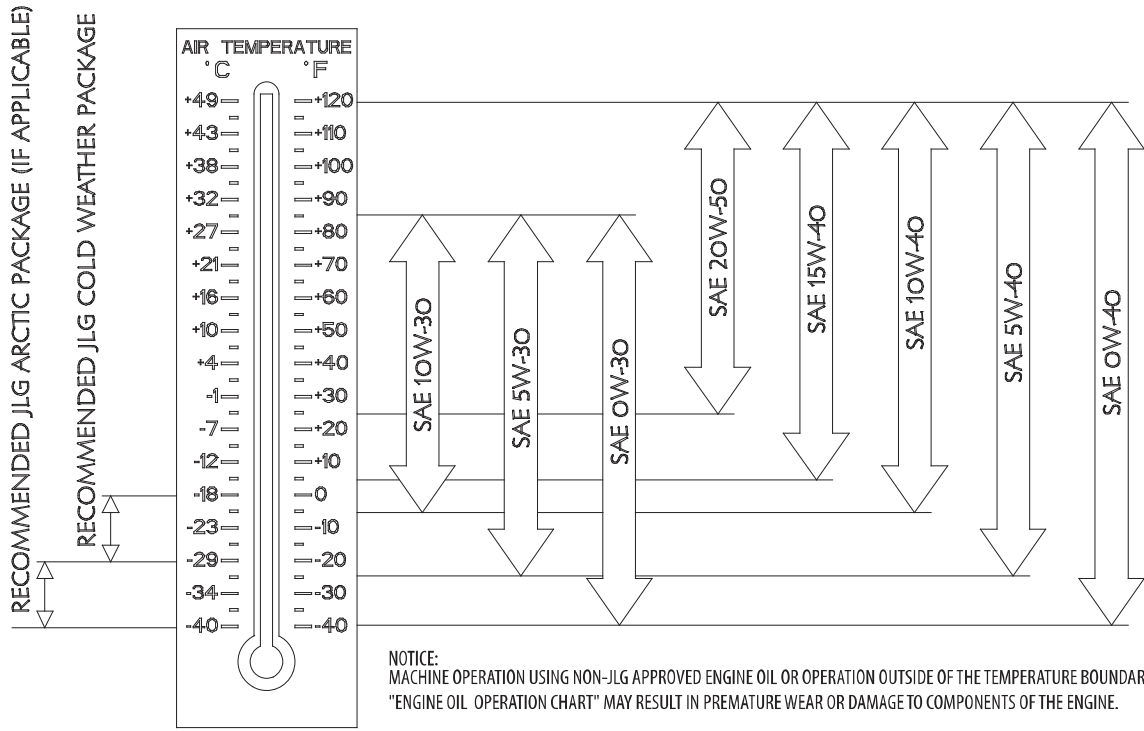
Type	Synthetic Biodegradable
ISO Viscosity Grade	46
Density at 15° C	.93
Pour Point	-27°F (-33°C)
Flash Point	568°F (298°C)
Operating Temp.	-20 to 200°F (-29 to 93°C)
Weight	7.64 lb/gal (0.9 kg/L)
<b>Viscosity</b>	
at 40° C	43.3 cSt
at 100° C	7.7 cSt
Viscosity Index	149

## Major Component Weights

**Table 7-18. Component Weights**

Component	Pounds	Kilograms
Tire & Wheel	867	393
Drive Hub & Motor	275.5	123
Engine Assembly	1275	579
Main Boom	5186	2357
Tower Boom	6990	3173
Tower Telescope Cylinder	915	415
Axle Oscillation Cylinder	74	34
Axle Extend Cylinder	92	42
Level Cylinder	89	40
Platform 36 x 96	245	111
Platform 36 x 72	195	89
Counterweight *	3320	1506
* For actual weight, see stamping on counterweight		





1001159163-A

**Figure 7-1. Engine Operating Temperature Specifications**

# SECTION 7 - GENERAL SPECIFICATIONS & OPERATOR MAINTENANCE

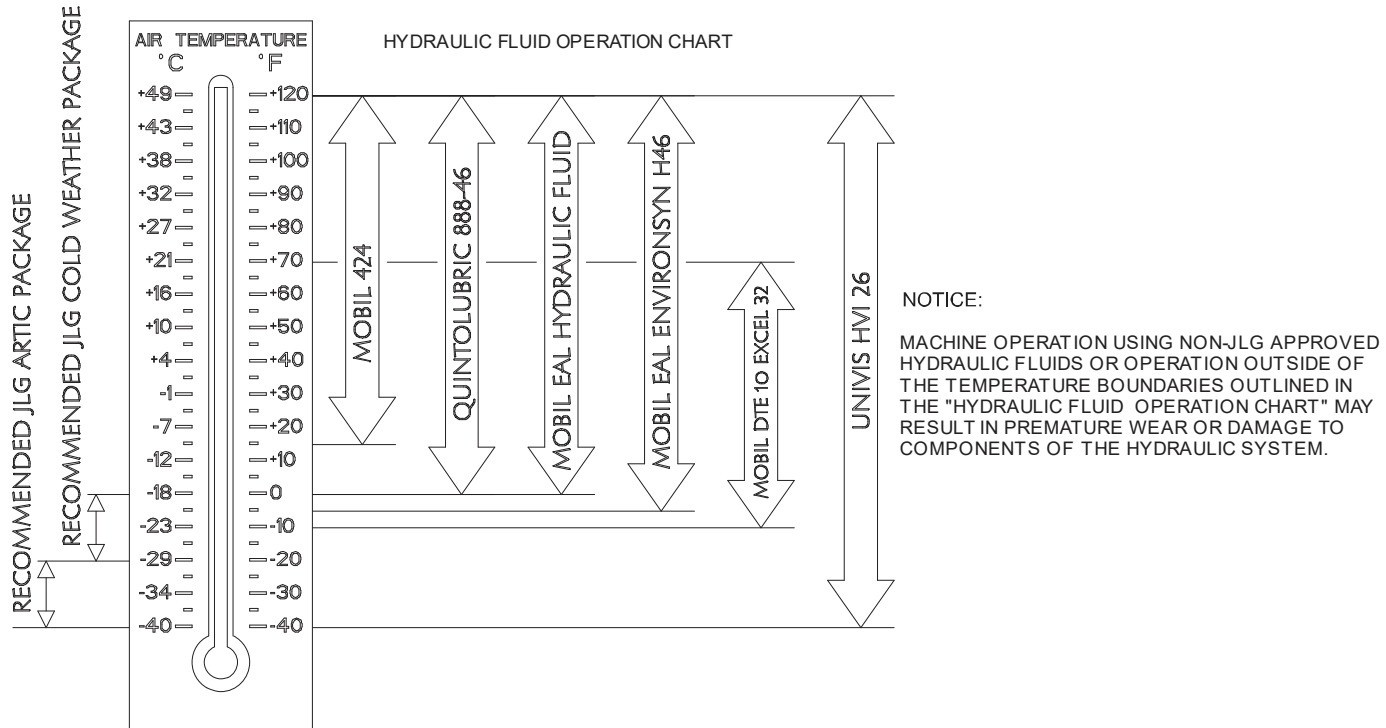


Figure 7-2. Hydraulic Oil Operation Chart - Sheet 1 of 2

**SECTION 7 - GENERAL SPECIFICATIONS & OPERATOR MAINTENANCE**

Fluid	Properties		Base				Classifications		
	Viscosity at 40° C (cSt, Typical)	Viscosity Index	Mineral Oils	Vegetable Oils	Synthetic	Synthetic/Polyol Esters	Readily Biodegradable*	Virtually Non-toxic**	Fire Resistant***
Mobilfluid 424	55	145	X						
Mobil DTE 10 Excel 32	32	164	X					X	
Univis HVI 26	26	376	X						
Mobil EAL Hydraulic Oil	47	176		X			X	X	
Mobil EAL EnviroSyn H46	49	145			X		X	X	
Quintolubric 888-46	50	185				X	X	X	X

\* Readily biodegradable classification indicates one of the following:

CO2 Conversion > 60% per EPA 560/6-82-003

CO2 Conversion > 80% per CEC-L-33-A-93

\*\* Virtually Non-toxic classification indicates an LC50 > 5000 ppm per OECD 203

\*\*\* Fire Resistant classification indicates Factory Mutual Research Corp. (FMRC) Approval

41507-90 B

**Figure 7-3. Hydraulic Oil Operation Chart - Sheet 2 of 2**

# SECTION 7 - GENERAL SPECIFICATIONS & OPERATOR MAINTENANCE

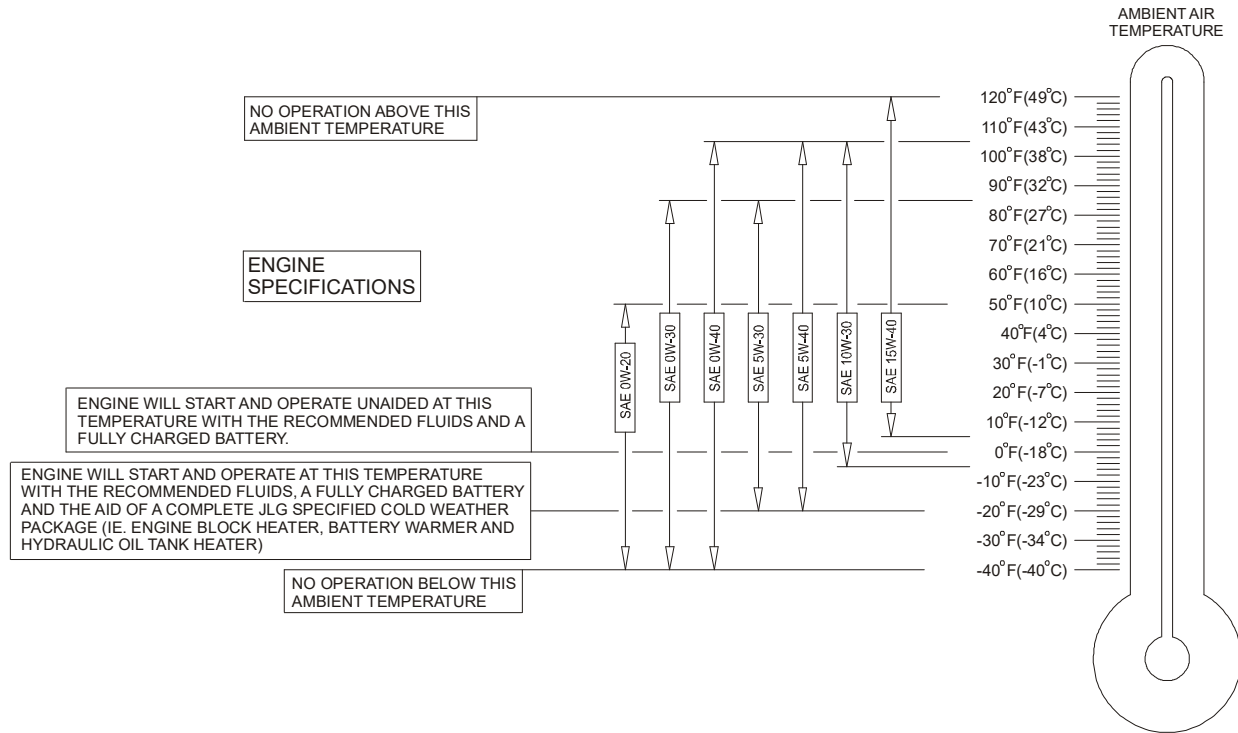
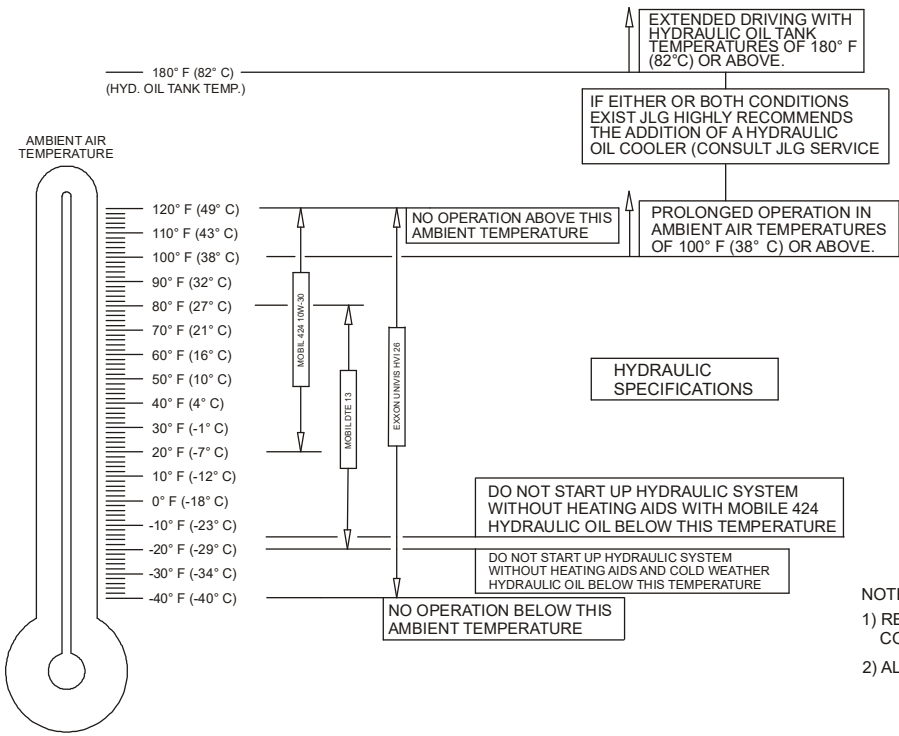


Figure 7-4. Engine Operating Temperature Specifications - Caterpillar - Sheet 1 of 2

# SECTION 7 - GENERAL SPECIFICATIONS & OPERATOR MAINTENANCE



- NOTE:
- 1) RECOMMENDATIONS ARE FOR AMBIENT TEMPERATURES CONSISTENTLY WITHIN SHOWN LIMITS
  - 2) ALL VALUES ARE ASSUMED TO BE AT SEA LEVEL.

Figure 7-5. Engine Operating Temperature Specifications - Caterpillar - Sheet 2 of 2

4150548-E

## SECTION 7 - GENERAL SPECIFICATIONS & OPERATOR MAINTENANCE

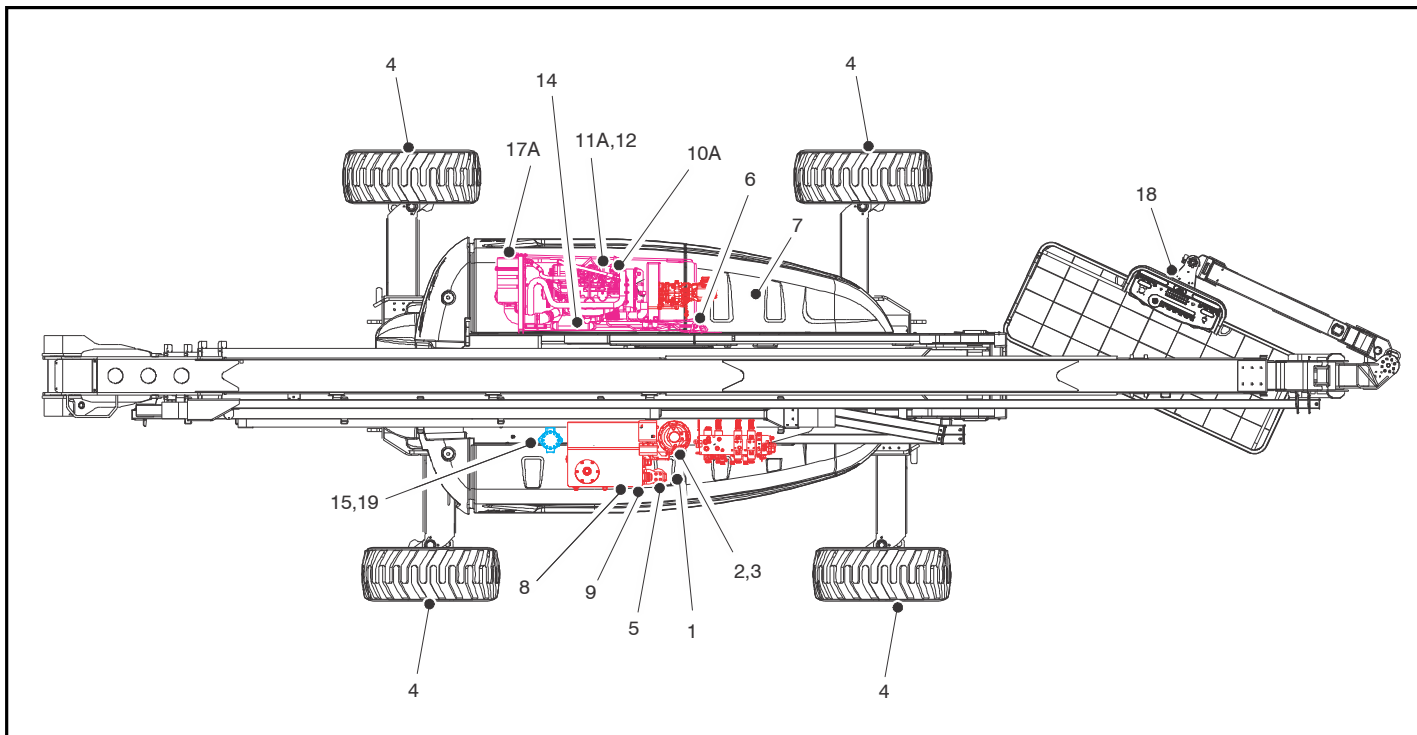
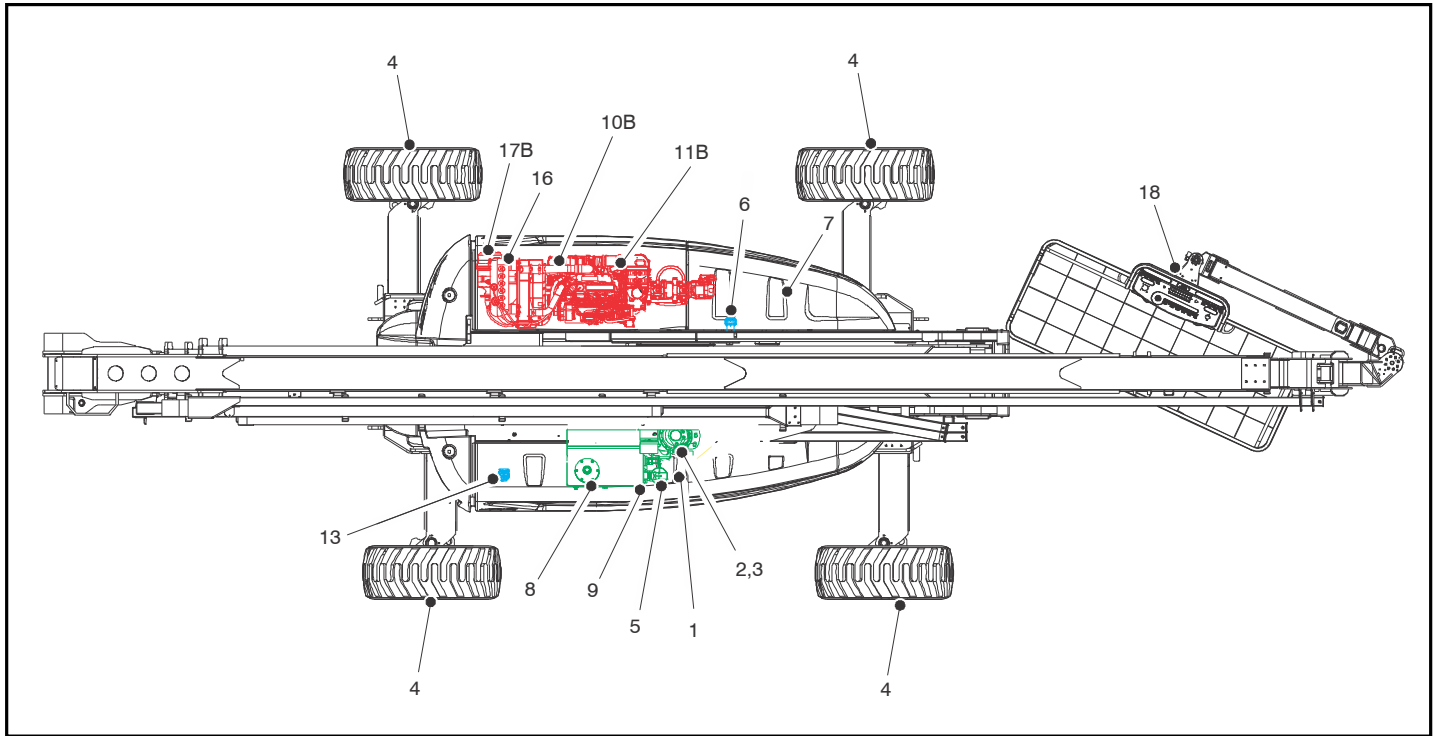


Figure 7-6. Operator Maintenance and Lubrication Diagram - Deutz 2011/CAT Engines



**Figure 7-7. Operator Maintenance and Lubrication Diagram - Deutz 2.9 Engine**

## SECTION 7 - GENERAL SPECIFICATIONS & OPERATOR MAINTENANCE

### 7.3 OPERATOR MAINTENANCE

**NOTE:** The following numbers correspond to those in Figure 7-6., Operator Maintenance and Lubrication Diagram - Deutz 2011/CAT Engines.

**Table 7-19. Lubrication Specifications**

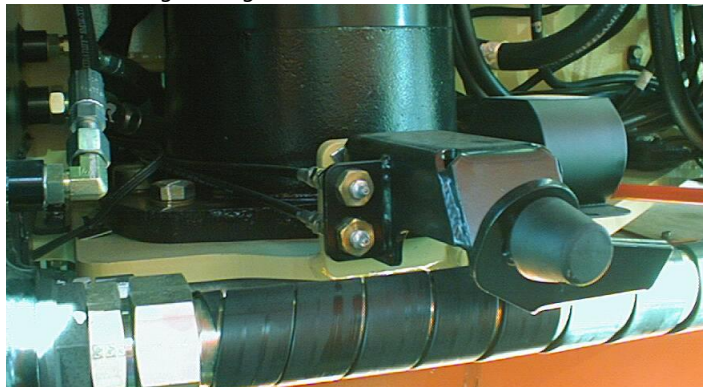
KEY	SPECIFICATIONS
MPG	Multipurpose Grease having a minimum dripping point of 350° F (177°C). Excellent water resistance and adhesive qualities, and being of extreme pressure type. (Timken OK 40 pounds minimum.)
EPGL	Extreme Pressure Gear Lube (oil) meeting API service classification GL-5 or MIL-Spec MIL-L-2105
HO	Hydraulic Oil. API service classification GL-3, e.g. Mobilfluid 424.
EO	Engine (crankcase) Oil. Gas - API SF, SH, SG class, MIL-L-2104. Diesel - API CC/CD class, MIL-L-2104B/MIL-L-2104C.

#### **NOTICE**

**LUBRICATION INTERVALS ARE BASED ON MACHINE OPERATION UNDER NORMAL CONDITIONS. FOR MACHINES USED IN MULTI-SHIFT OPERATIONS AND/OR EXPOSED TO HOSTILE ENVIRONMENTS OR CONDITIONS, LUBRICATION FREQUENCIES MUST BE INCREASED ACCORDINGLY.**

**NOTE:** It is recommended as a good practice to replace all filters at the same time.

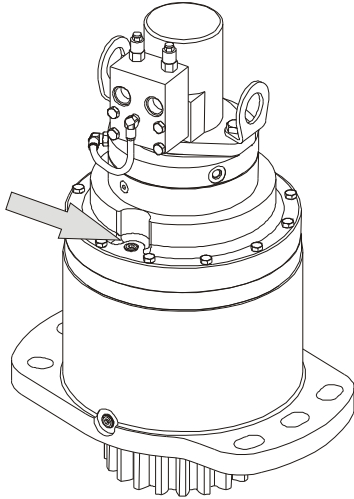
#### 1. Swing Bearing - Remote Lube



Lube Point(s) - 2 Grease Fitting  
Capacity - A/R  
Lube - MPG  
Interval - Every 3 months or 150 hours of operation

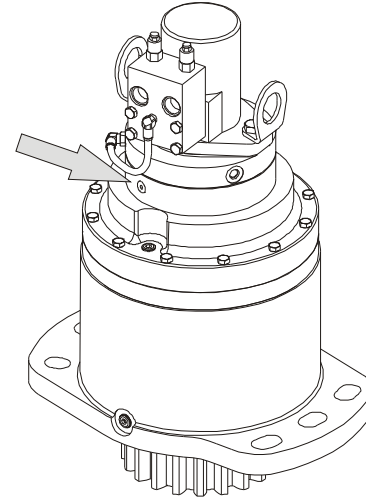


**2. Swing Gearbox**



Lube Point(s) - Fill Plug  
Capacity - 79 ounces (2.3 L)  
Lube - GL-5  
Interval - Check level every 150 hrs/Change every 1200 hours of operation. Fill to cover ring gear.

**3. Swing Brake**



Lube Point(s) - Fill Plug  
Capacity - 2.7 ounces (80 ml)  
Lube - DTE24  
Interval - Check level every 150 hrs/Change every 1200 hours of operation.

## SECTION 7 - GENERAL SPECIFICATIONS & OPERATOR MAINTENANCE

### 4. A. Wheel Drive Hub (Prior to S/N 100128)



Lube Point(s) - Level/Fill Plug

Capacity - 0.5 liters (1/2 full)

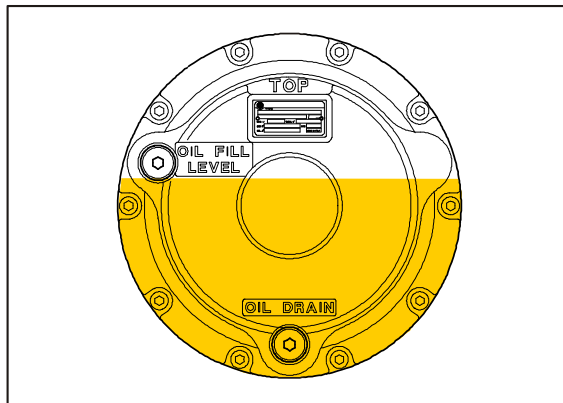
Lube - EPGL

Interval - Change after first 150 hours then every 1200 hours of operation

Comments - Place Fill port at 12 o'clock position and Check port at 3 o'clock position. Pour lubricant into fill port until it just starts to flow out of check port.

**NOTE:** After S/N 0300134389 machines may be built with either Bonfiglioli or Reggiana Riduttori wheel drive hubs.

### B: Wheel Drive Hub - Bonfiglioli (S/N 100128 to Present)



Lube Point(s) - Level/Fill Plug

Capacity - 2.1 quarts (2 liters)  $\pm$  10%

Lube - EPGL

Interval - Change after first 150 hours then every 1200 hours of operation

Comments - Place Fill port at 12 o'clock position and Check port at 8 o'clock position. Pour lubricant into fill port until it just starts to flow out of check port.

## SECTION 7 - GENERAL SPECIFICATIONS & OPERATOR MAINTENANCE

C: Wheel Drive Hub - Reggiana Riduttori (S/N 134389 to Present)



Lube Point(s) - Level/Fill Plug

Capacity - 0.5 quarts (0.5 liters)  $\pm$  10%

Lube - EPGL

Interval - Change after first 150 hours then every 1200 hours of operation

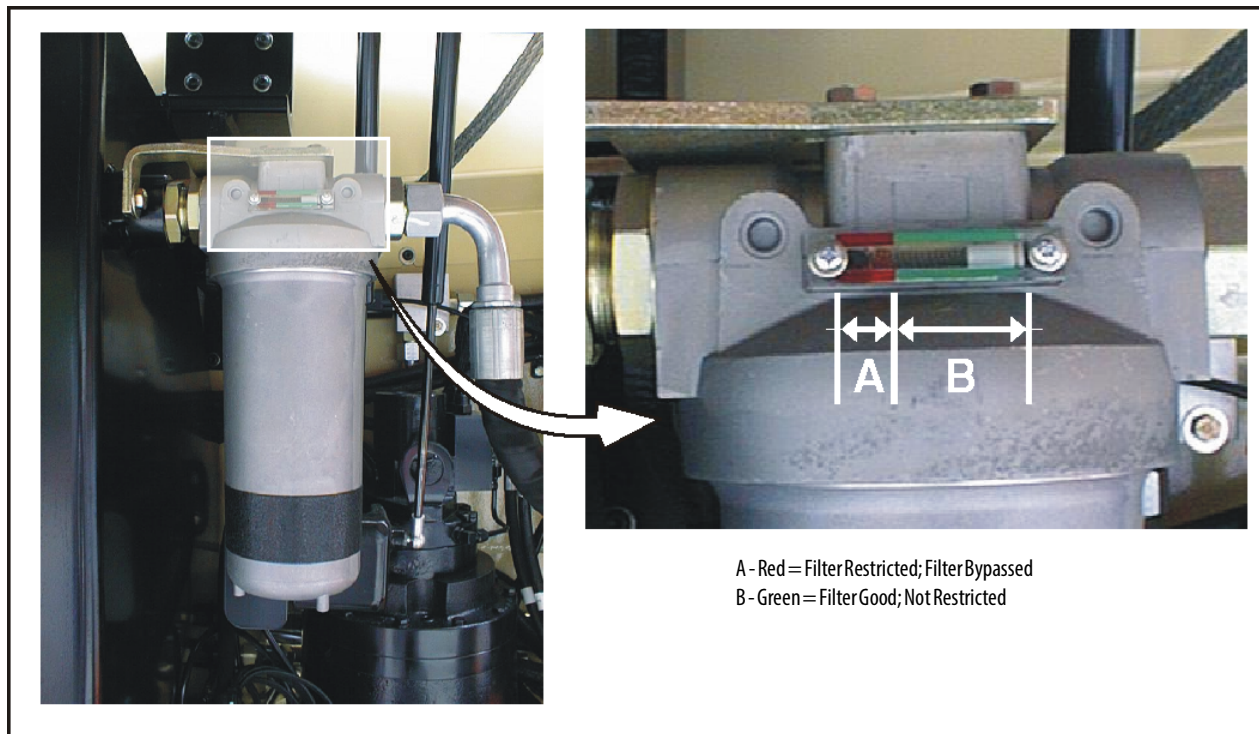
Comments - Place Fill port at 12 o'clock position and Check port at 3 o'clock position. Pour lubricant into fill port until it just starts to flow out of check port.

### 5. Hydraulic Return Filter

(See Figure 7-8., Hydraulic Return Filter Condition Indicator - Prior to S/N 139396 and Figure 7-9., Hydraulic Return Filter Condition Indicator - S/N 139396 to Present)

Lube Point(s) - Replaceable Element

Interval - Change after first 50 hours and every 300 hours thereafter or as indicated by condition indicator.



**Figure 7-8. Hydraulic Return Filter Condition Indicator - Prior to S/N 139396**



**Figure 7-9. Hydraulic Return Filter Condition Indicator - S/N 139396 to Present**

## SECTION 7 - GENERAL SPECIFICATIONS & OPERATOR MAINTENANCE

### 6. Hydraulic Charge Filter



or



Lube Point(s) - Replaceable Element

Interval - Change after first 50 hours and every 300 hours thereafter or as indicated by condition indicator (if equipped)

## SECTION 7 - GENERAL SPECIFICATIONS & OPERATOR MAINTENANCE

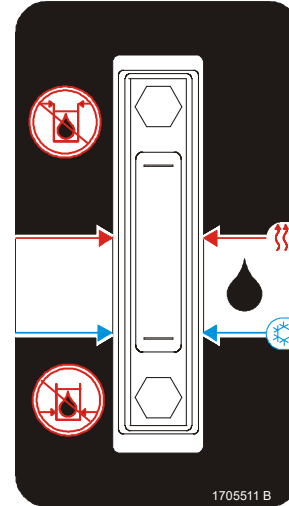
### 7. Main Valve Filter



Lube Point(s) - Replaceable Element

Interval - Change after first 50 hours and every 300 hours thereafter

### 8. Hydraulic Oil



Lube Point(s) - Fill Cap

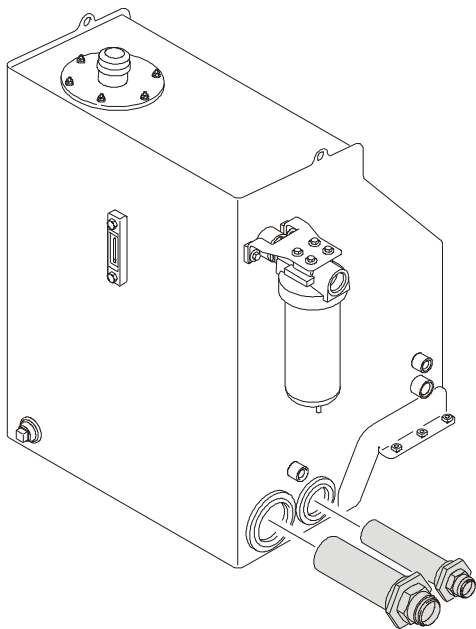
Capacity - 55 gallons (208 liters) Tank

Lube - HO

Interval - Check level daily. Change every 2 years or 1200 hours of operation.

## SECTION 7 - GENERAL SPECIFICATIONS & OPERATOR MAINTENANCE

### 9. Suction Strainers (In Tank)



Lube Point(s) - 2

Interval - Every 2 years or 1200 hours of operation.

Remove and clean at time of hydraulic oil change.

### 10. A. Oil Change w/Filter - Deutz 2011



Lube Point(s) - Fill Cap/Spin-on Element

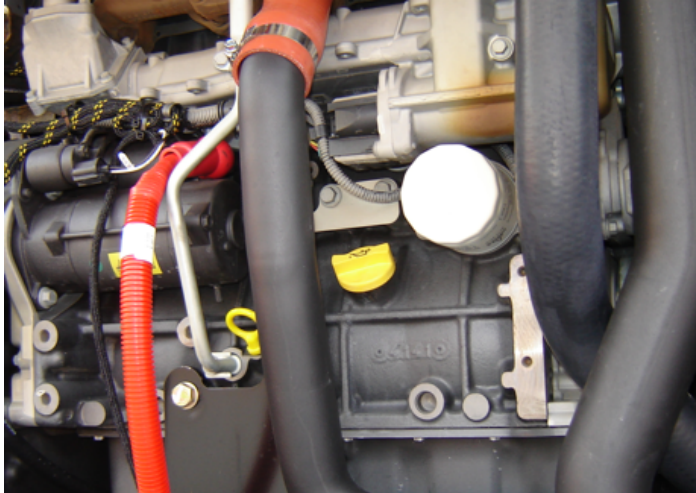
Capacity - 11 Quarts (10.5 L) w/Filter

Lube - EO

Interval - Check level daily; change every 500 hours or six months, whichever comes first. Adjust final oil level by mark on dipstick.



**B. Oil Change w/Filter - Deutz TCD2.9**



Lube Point(s) - Fill Cap/Spin-on Element

Capacity - 2.4 Gallon (8.9 L)

Lube - EO

Interval - Check level daily; change every 500 hours or six months, whichever comes first. Adjust final oil level by mark on dipstick.

## SECTION 7 - GENERAL SPECIFICATIONS & OPERATOR MAINTENANCE

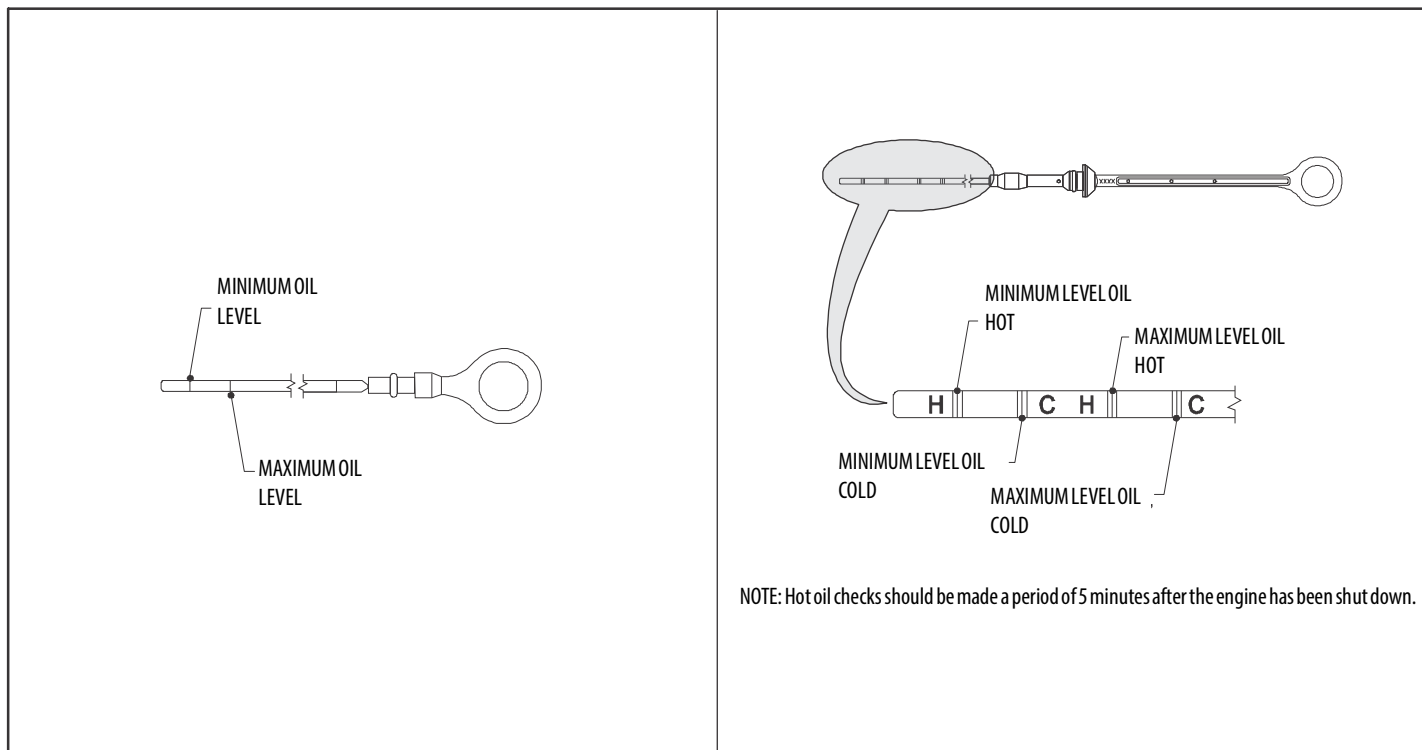


Figure 7-10. Deutz 2011 Engine Dipstick

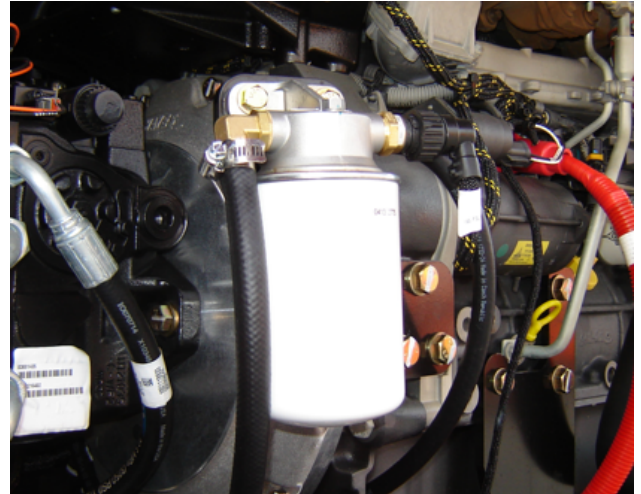
## SECTION 7 - GENERAL SPECIFICATIONS & OPERATOR MAINTENANCE

### 11. A. Fuel Filter - Deutz 2011



Lube Point(s) - Replaceable Element  
Interval - Every year or 600 hours of operation

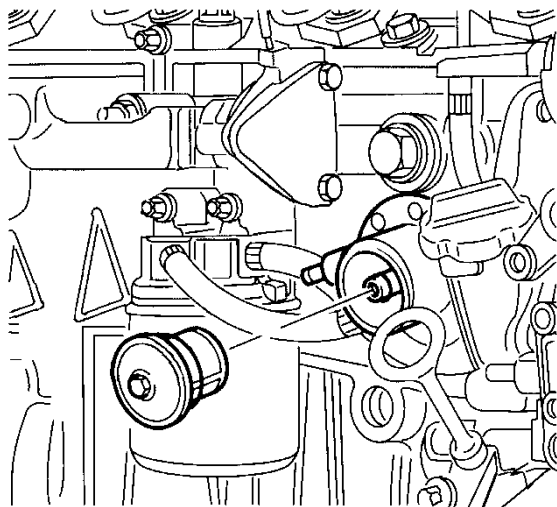
### B. Fuel Filter - Deutz TCD2.9



Lube Point(s) - Replaceable Element  
Interval - Every year or 500 hours of operation

## SECTION 7 - GENERAL SPECIFICATIONS & OPERATOR MAINTENANCE

### 12. Fuel Strainer - Deutz 2011



Lube Point(s) - Replaceable Element  
Interval - Every year or 600 hours of operation

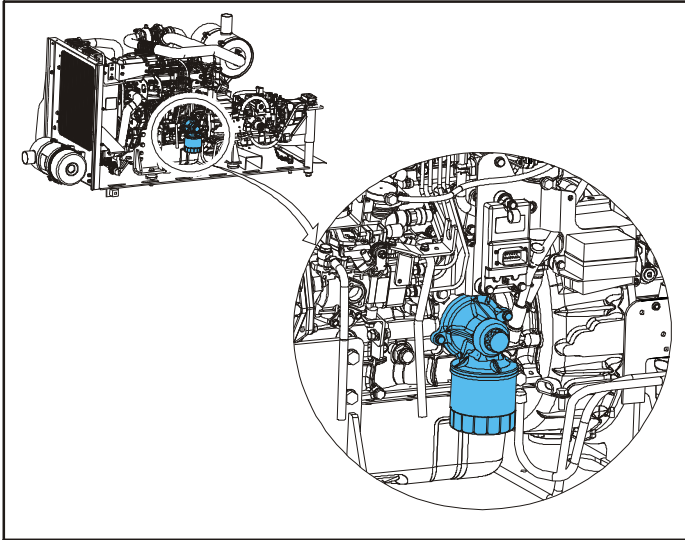
### 13. Fuel Pre-Filter TCD2.9



Lube Point(s) - Replaceable Element  
Interval - Drain water daily; Change every year or 500 hours of operation

## SECTION 7 - GENERAL SPECIFICATIONS & OPERATOR MAINTENANCE

### 14. Oil Change w/Filter - CAT



Lube Point(s) - Fill Cap/Spin-on Element (element can be accessed from below engine tray)

Capacity - 10.5 Quarts (10 L)

Lube - EO

Interval - Check level daily; change every 150 hours or three months, whichever comes first. Adjust final oil level by mark on dipstick.

### 15. Fuel Filter/Water Separator - CAT

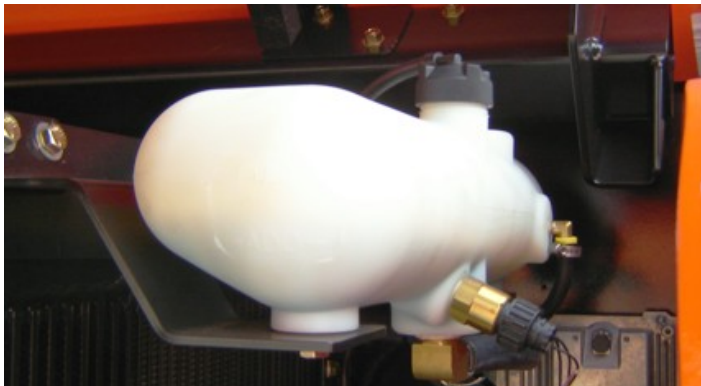


Lube Point(s) - Replaceable Element

Interval - Drain water daily; Replace element every year or 600 hours of operation

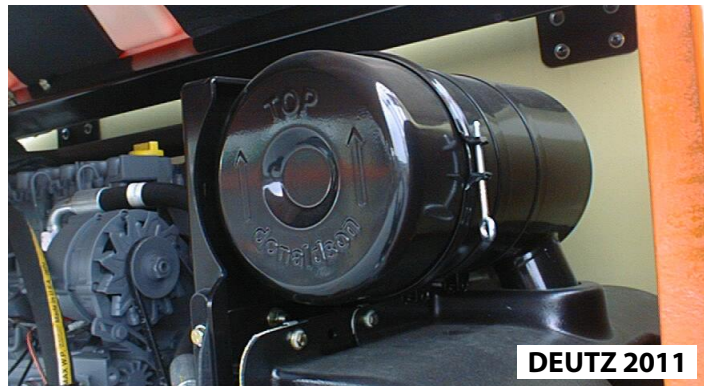
## SECTION 7 - GENERAL SPECIFICATIONS & OPERATOR MAINTENANCE

### 16. Radiator Coolant TCD2.9

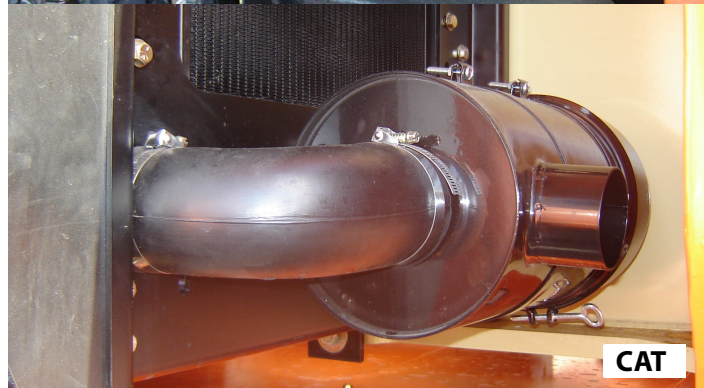


Lube Point(s) - Fill Cap  
Capacity - 3.2Gallon (12.1 L)  
Lube - Anti-Freeze  
Interval - Check level daily; change every 1000 hours or 2 years,  
whichever comes first.

### 17. A. Air Filter -Deutz 2011/CAT



**DEUTZ 2011**



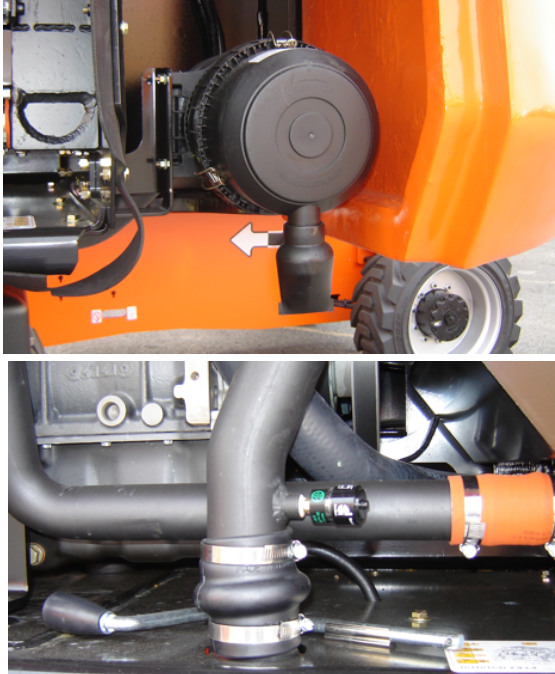
**CAT**

## SECTION 7 - GENERAL SPECIFICATIONS & OPERATOR MAINTENANCE

Lube Point(s) - Replaceable Element

Interval - Every 6 months or 300 hours of operation or as indicated by the condition indicator

B. Air Filter - Deutz TCD2.9



Lube Point(s) - Replaceable Element

Interval - Every 6 months or 300 hours of operation or as indicated by the condition indicator

Comments - Check Dust Valve daily

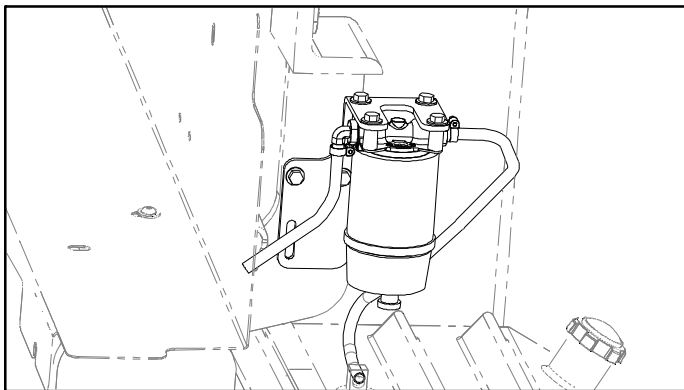
18. Platform Filter



Lube Point(s) - Replaceable Element

Interval - Change after first 50 hours and then every year or 600 hours of operation thereafter

### 19. Optional Fuel Filter/Water Separator



Lube Point(s) - Replaceable Element

Interval - Drain water daily; Change every year or 600 hours of operation

## 7.4 TIRES & WHEELS

### Tire Inflation

The air pressure for pneumatic tires must be equal to the air pressure that is stenciled on the side of the JLG product or rim decal for safe and proper operational characteristics.

### Tire Damage

For pneumatic tires, JLG Industries, Inc. recommends that when any cut, rip, or tear is discovered that exposes sidewall or tread area cords in the tire, measures must be taken to remove the JLG product from service immediately. Arrangements must be made for replacement of the tire or tire assembly.

For polyurethane foam filled tires, JLG Industries, Inc. recommends that when any of the following are discovered, measures must be taken to remove the JLG product from service immediately and arrangements must be made for replacement of the tire or tire assembly.

- a smooth, even cut through the cord plies which exceeds 3 inches (7.5 cm) in total length
- any tears or rips (ragged edges) in the cord plies which exceeds 1 inch (2.5 cm) in any direction
- any punctures which exceed 1 inch in diameter



- any damage to the bead area cords of the tire

If a tire is damaged but is within the above noted criteria, the tire must be inspected on a daily basis to insure the damage has not propagated beyond the allowable criteria.

### Tire Replacement

JLG recommends a replacement tire be the same size, ply and brand as originally installed on the machine. Please refer to the JLG Parts Manual for the part number of the approved tires for a particular machine model. If not using a JLG approved replacement tire, we recommend that replacement tires have the following characteristics:

- Equal or greater ply/load rating and size of original
- Tire tread contact width equal or greater than original
- Wheel diameter, width, and offset dimensions equal to the original
- Approved for the application by the tire manufacturer (including inflation pressure and maximum tire load)

Unless specifically approved by JLG Industries Inc. do not replace a foam filled or ballast filled tire assembly with a pneumatic tire. When selecting and installing a replacement tire, ensure that all tires are inflated to the pressure recommended by JLG. Due to size variations between tire brands, both tires on the same axle should be the same.

### Wheel and Tire Replacement

The rims installed on each product model have been designed for stability requirements which consist of track width, tire pressure, and load capacity. Size changes such as rim width, center piece location, larger or smaller diameter, etc., without written factory recommendations, may result in an unsafe condition regarding stability.

### Wheel Installation

It is extremely important to apply and maintain proper wheel mounting torque.

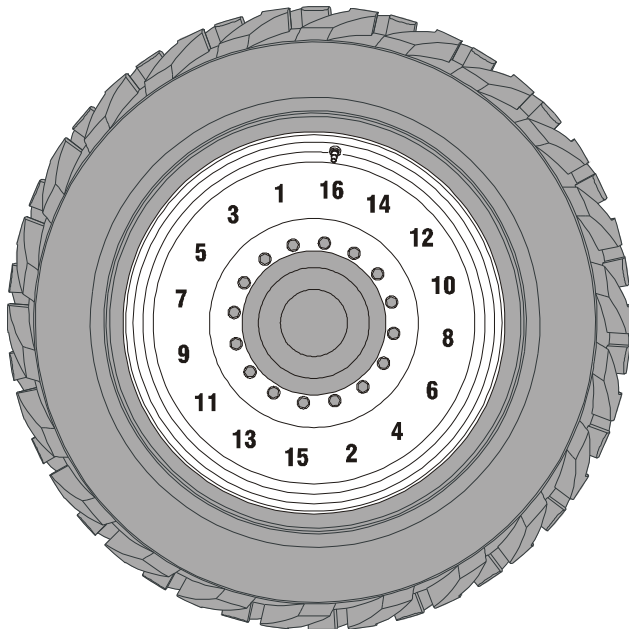
#### **WARNING**

**WHEEL NUTS MUST BE INSTALLED AND MAINTAINED AT THE PROPER TORQUE TO PREVENT LOOSE WHEELS, BROKEN STUDS, AND POSSIBLE DANGEROUS SEPARATION OF WHEEL FROM THE AXLE. BE SURE TO USE ONLY THE NUTS MATCHED TO THE CONE ANGLE OF THE WHEEL.**

Tighten the lug nuts to the proper torque to prevent wheels from coming loose. Use a torque wrench to tighten the fasteners. If you do not have a torque wrench, tighten the fasteners with a lug wrench, then immediately have a service garage or dealer tighten the lug nuts to the proper torque. Over-tightening will result in breaking the studs or permanently deforming the mounting stud holes in the wheels. The proper procedure for attaching wheels is as follows:

## SECTION 7 - GENERAL SPECIFICATIONS & OPERATOR MAINTENANCE

1. Start all nuts by hand to prevent cross threading. DO NOT use a lubricant on threads or nuts.
2. Tighten nuts in the following sequence:
3. The tightening of the nuts should be done in stages. Following the recommended sequence, tighten nuts per wheel torque chart.



**Table 7-20. Wheel Torque Chart**

TORQUE SEQUENCE		
1st Stage	2nd Stage	3rd Stage
45ft. lbs. (60 Nm)	100 ft. lbs. (140 Nm)	180 ft. lbs. (252 Nm)

4. Wheel nuts should be torqued before first road use and after each wheel removal. Check and torque every 3 months or 150 hours of operation.

## **7.5 SUPPLEMENTAL INFORMATION**

The following information is provided in accordance with the requirements of the European Machinery Directive 2006/42/EC and is only applicable to CE machines.

For electric powered machines, the equivalent continuous A-Weighted sound pressure level at the work platform is less than 70dB(A)

For combustion engine powered machines, guaranteed Sound Power Level (LWA) per European Directive 2000/14/EC (Noise Emission in the Environment by Equipment for Use Outdoors) based on test methods in accordance with Annex III, Part B, Method 1 and 0 of the directive, is 109 dB.

The vibration total value to which the hand-arm system is subjected does not exceed 2,5 m/s<sup>2</sup>. The highest root mean square value of weighted acceleration to which the whole body is subjected does not exceed 0,5 m/s<sup>2</sup>.



**SECTION 8. INSPECTION AND REPAIR LOG**

Machine Serial Number \_\_\_\_\_

**Table 8-1. Inspection and Repair Log**

<b>Date</b>	<b>Comments</b>

**SECTION 8 - INSPECTION AND REPAIR LOG**

---

**Table 8-1. Inspection and Repair Log**

Date	Comments



An Oshkosh Corporation Company

# TRANSFER OF OWNERSHIP

## To Product Owner:

If you now own but ARE NOT the original purchaser of the product covered by this manual, we would like to know who you are. For the purpose of receiving safety-related bulletins, it is very important to keep JLG Industries, Inc. updated with the current ownership of all JLG products. JLG maintains owner information for each JLG product and uses this information in cases where owner notification is necessary.

Please use this form to provide JLG with updated information with regard to the current ownership of JLG products. Please return completed form to the JLG Product Safety & Reliability Department via facsimile or mail to address as specified below.

Thank You,  
Product Safety & Reliability Department  
*JLG Industries, Inc.*  
13224 Fountainhead Plaza  
Hagerstown, MD 21742  
USA  
Telephone: +1-717-485-6591  
Fax: +1-301-745-3713

**NOTE:** Leased or rented units should not be included on this form.

Mfg. Model: \_\_\_\_\_

Serial Number: \_\_\_\_\_

Previous Owner: \_\_\_\_\_

Address: \_\_\_\_\_

Country: \_\_\_\_\_ Telephone: (\_\_\_\_) \_\_\_\_\_

Date of Transfer: \_\_\_\_\_

Current Owner: \_\_\_\_\_

Address: \_\_\_\_\_

Country: \_\_\_\_\_ Telephone: (\_\_\_\_) \_\_\_\_\_

**Who in your organization should we notify?**

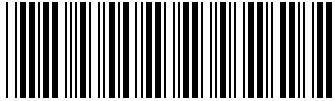
Name: \_\_\_\_\_

Title: \_\_\_\_\_









3121170



An Oshkosh Corporation Company

***Corporate Office***

***JLG Industries, Inc.***

***1 JLG Drive***

***McConnellsburg, PA 17233-9533 USA***

***☎ (717) 485-5161 (Corporate)***

***☎ (877) 554-5438 (Customer Support)***

***☎ (717) 485-6417***

***Visit our website for JLG Worldwide Locations.***

***[www.jlg.com](http://www.jlg.com)***